

Disconnecting the Operator Arm from the Gate

To remove the arm from a gate that does not have pin locks, follow these instructions:

To Manually Open and Close the Gate, Follow the Procedure Below:

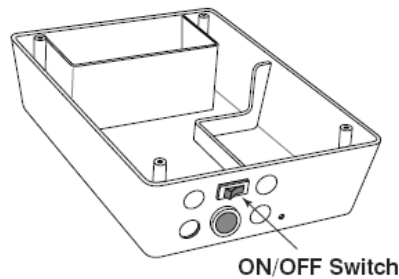
⚠ CAUTION: The gate will move freely and uncontrolled when the gate operator is removed from the gate. **ONLY** disconnect the operator when the control box power switch is OFF and the gate is NOT moving.

Disconnecting the Operator

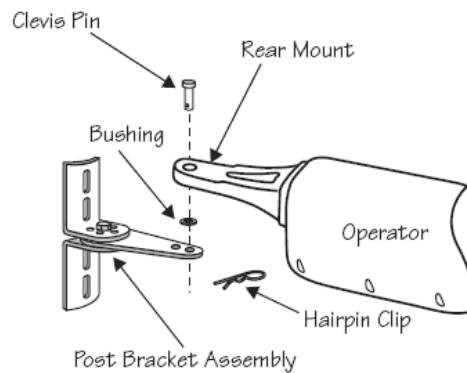
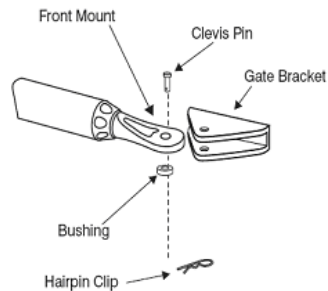
1

1. Turn control box power switch OFF.
2. Remove hairpin clip, clevis pin, and bushing from the front and rear mounting point.
3. Remove the opener from the mount.

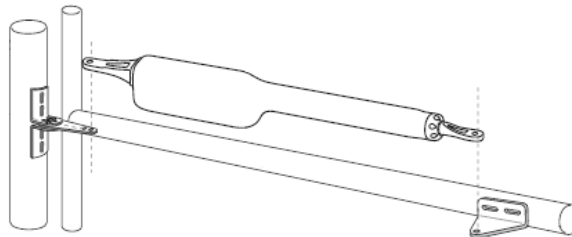
The gate can be opened and closed manually when the operator is disconnected.



2



3



If you have pin locks, follow these instructions:

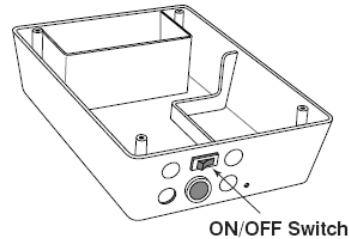
To Manually Open and Close the Gate, Follow the Procedure Below:

⚠ CAUTION: The gate will move freely and uncontrolled when the gate operator is removed from the gate. **ONLY** disconnect the operator when the control box power switch is OFF and the gate is NOT moving.

Disconnecting the Operator

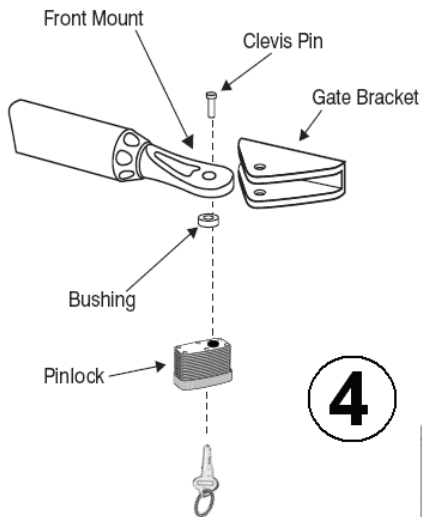
1

1. Turn control box power switch OFF.
2. Remove pinlock, clevis pin, and bushing from the front mounting point.
3. Remove hairpin clip, clevis pin, and bushing from the rear mounting point.
4. Remove the opener from the mount.

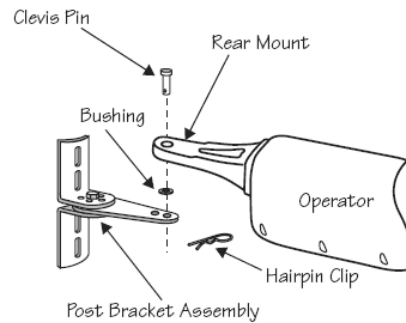


The gate can be opened and closed manually when the operator is disconnected.

2



3



4

