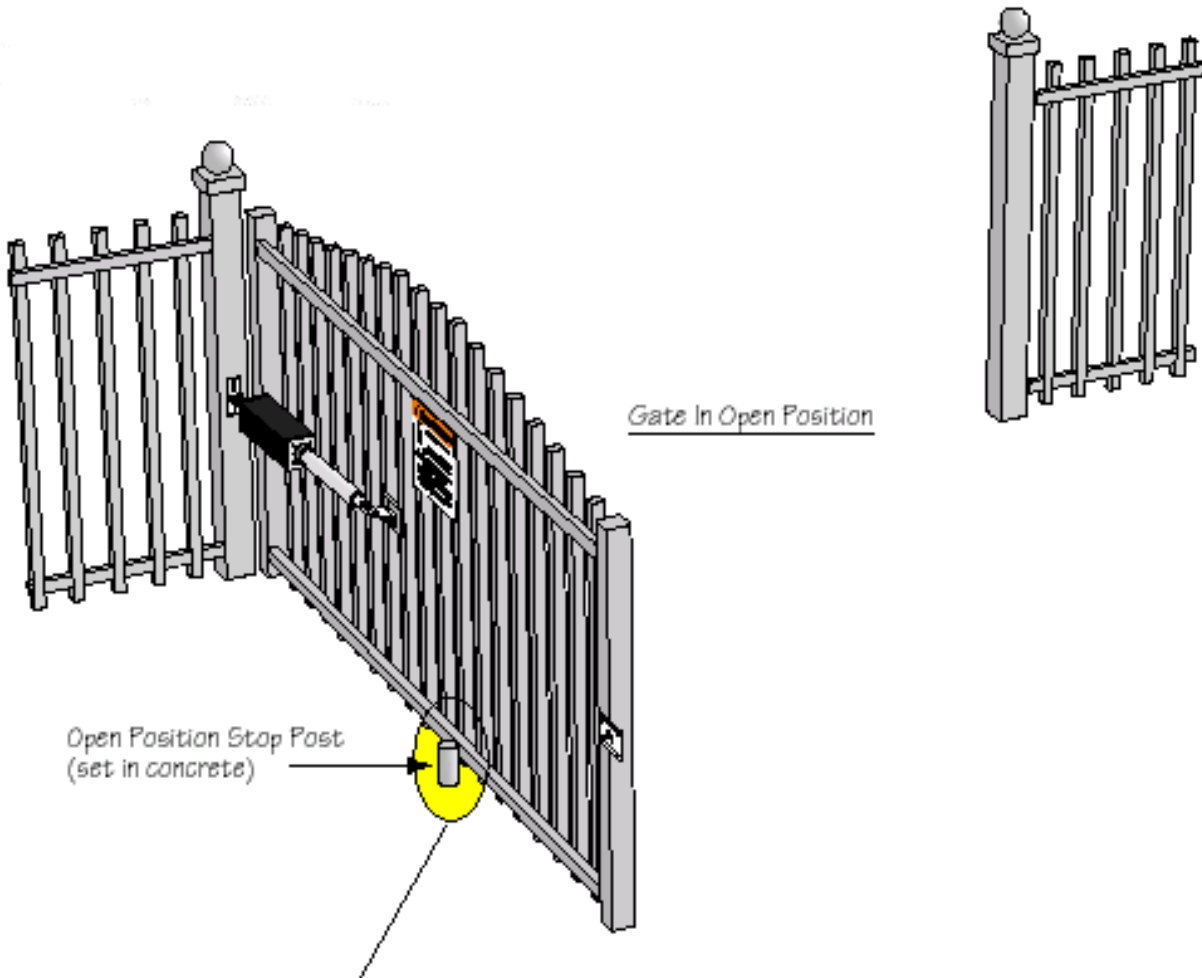


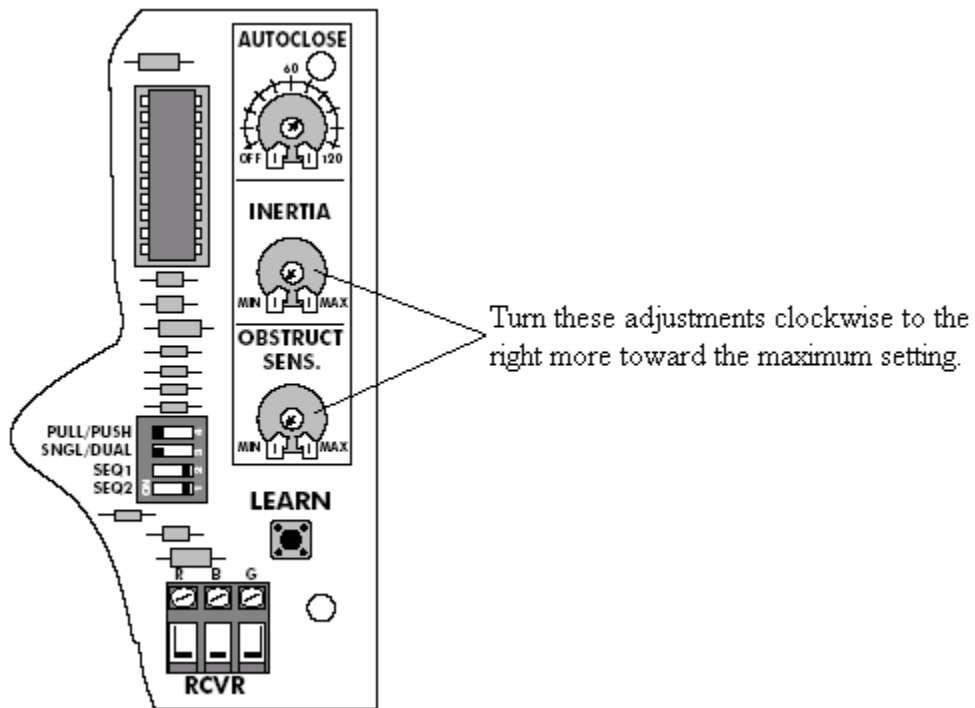
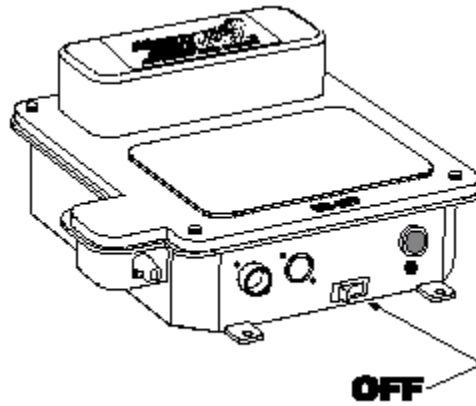
Auto Close Feature Is Not Working

95% of the time, the Auto Close does not work because the gate is hitting the stop too hard in the open position. The circuit board senses an obstruction at the end of the open cycle, which deletes the Auto Close function.

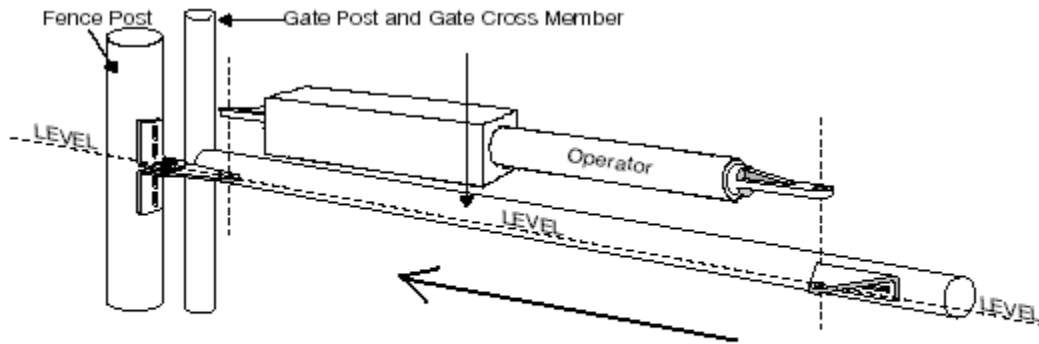


If the gate hits the stop too hard, it could cause the opener to sense an obstruction, which deletes the autoclose function.

Try turning the power off and increasing the inertia and obstruction sensitivity.



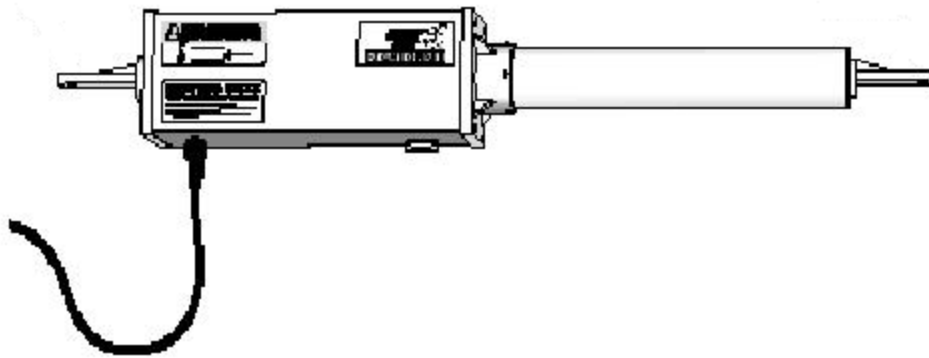
If that does not work, take the arm off the gate.



Take the arm off the gate. Use the remote to fully retract the arm.

Extend the tube and retract the tube with the remote.

Make sure the that arm is fully retracted as shown.



If it times out and Auto Closes with the arm disconnected from the gate, you will need to readjust the gate bracket in the middle of the gate so that the gate will not hit the stop as hard.

