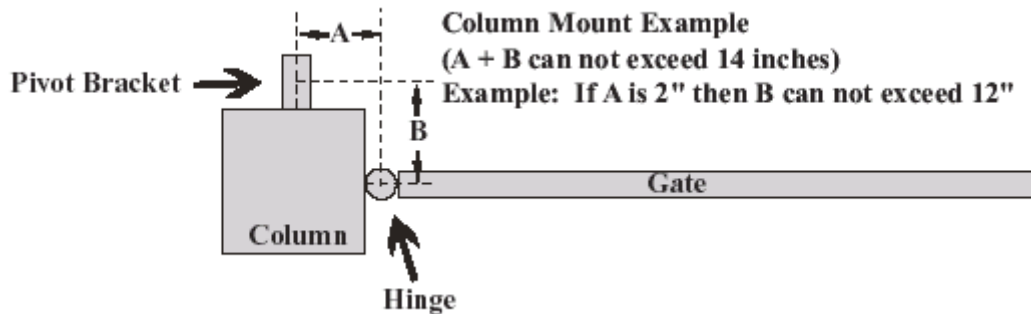


A + B Rule

Whenever you install the post/column bracket on the post or the column, it is necessary to set up the angle that the operator arm pushes against the gate.

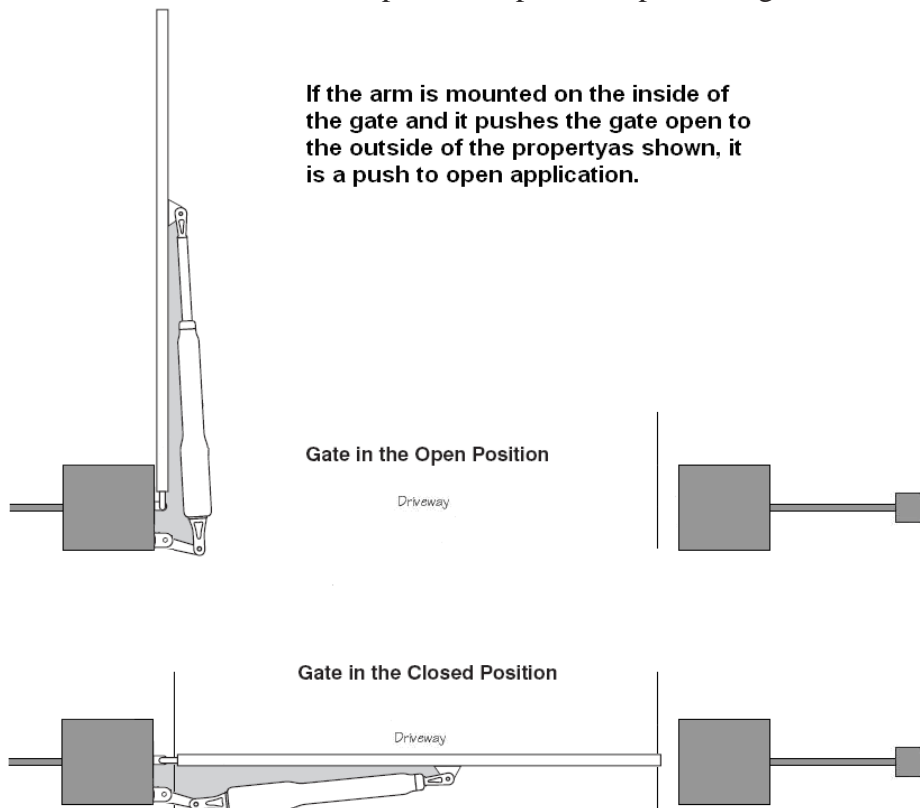
This is necessary for two reasons:

1. You must obey the “A+B cannot exceed 14 inches rule” or the operator arm will not swing the gate a full 110 degrees.
2. The operator arm must pull and push on the gate at the proper angle so it does not cause stress on the operator arm that could cause it to blow fuses or sense obstructions.



If it is impossible to obey A+B as shown, there are three options available that will help you obey the A+B rule:

1. The simplest solution is to install the opener in a push-to-open configuration.

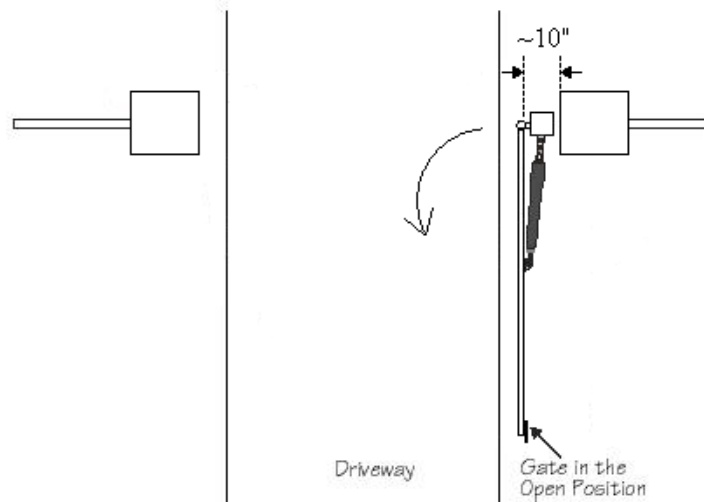


It will require the Push-To-Open Bracket, part # FM148.



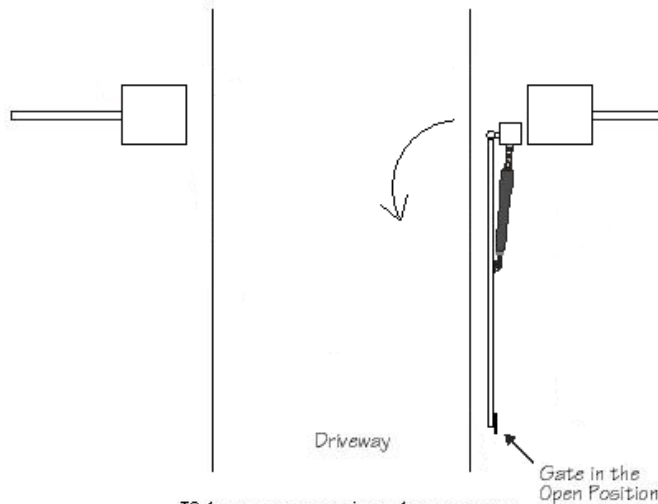
The minimum clearance is easier to achieve and clearance is no longer a problem, since the opener will be pushing the gate away from the column instead of pulling it toward the column. It is recommended that you place a steel plate between the opener mounting brackets and masonry surface for additional strength.

2. If a push-to-open installation is impossible due to traffic hazards, terrain, etc., another option is to re-hang the gate. You may hang it on a post in the center of the column. You will need approximately 10" of clearance between the gate when it is open and the column to make room for the operator arm. Pay attention to the clearances during installation to ensure that there is no binding or pinching.



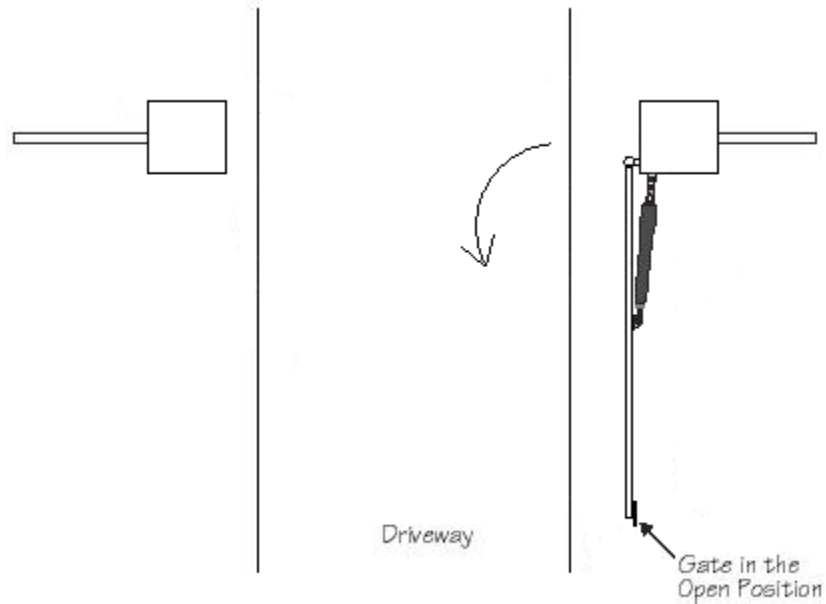
If the gate opens into the property as shown, it is a pull to open gate.

You may hang the gate on a post at the back corner of the column.



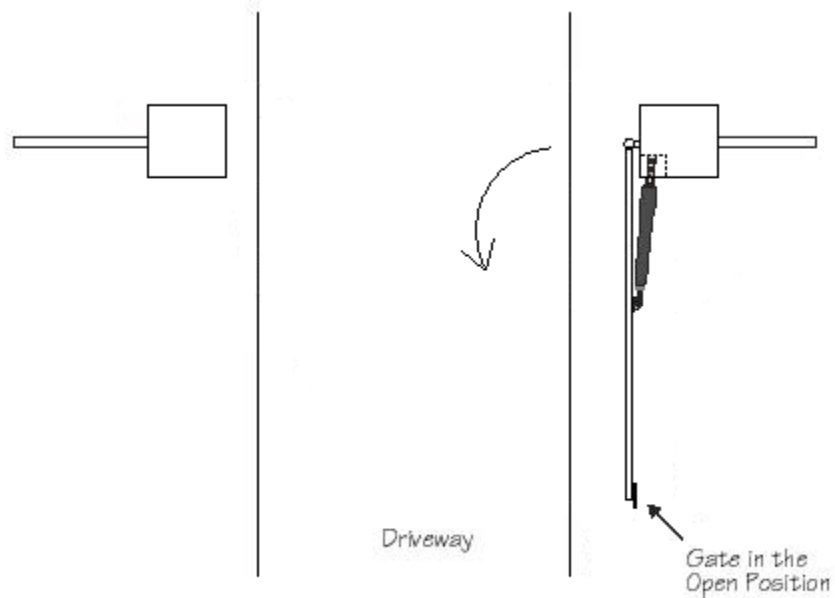
If the gate opens into the property as shown, it is a pull to open gate.

You may hang the gate on the back corner of the column.

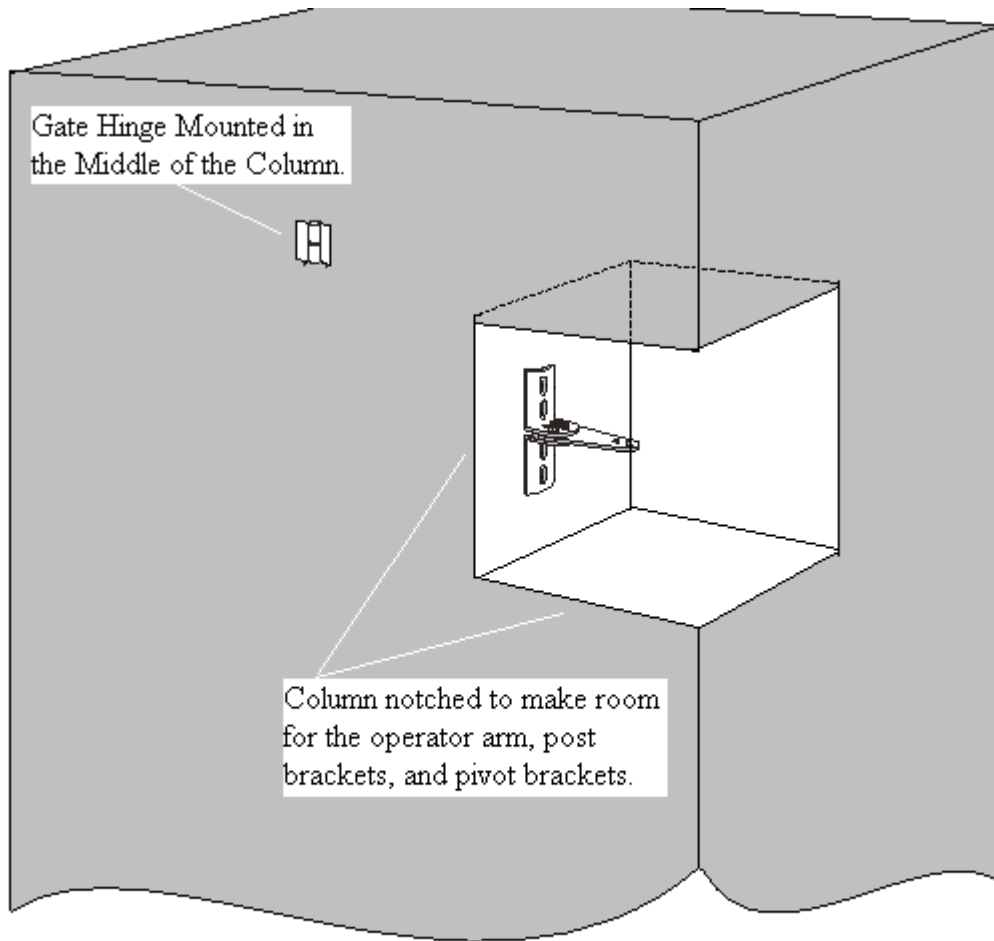


If the gate opens into the property as shown, it is a pull to open gate.

3. The most difficult solution is to cut a notch in the column to accommodate the opener and power cable. This job is **NOT** for the inexperienced!



If the gate opens into the property as shown, it is a pull to open gate.



* This picture is for reference only. It is not drawn to scale.