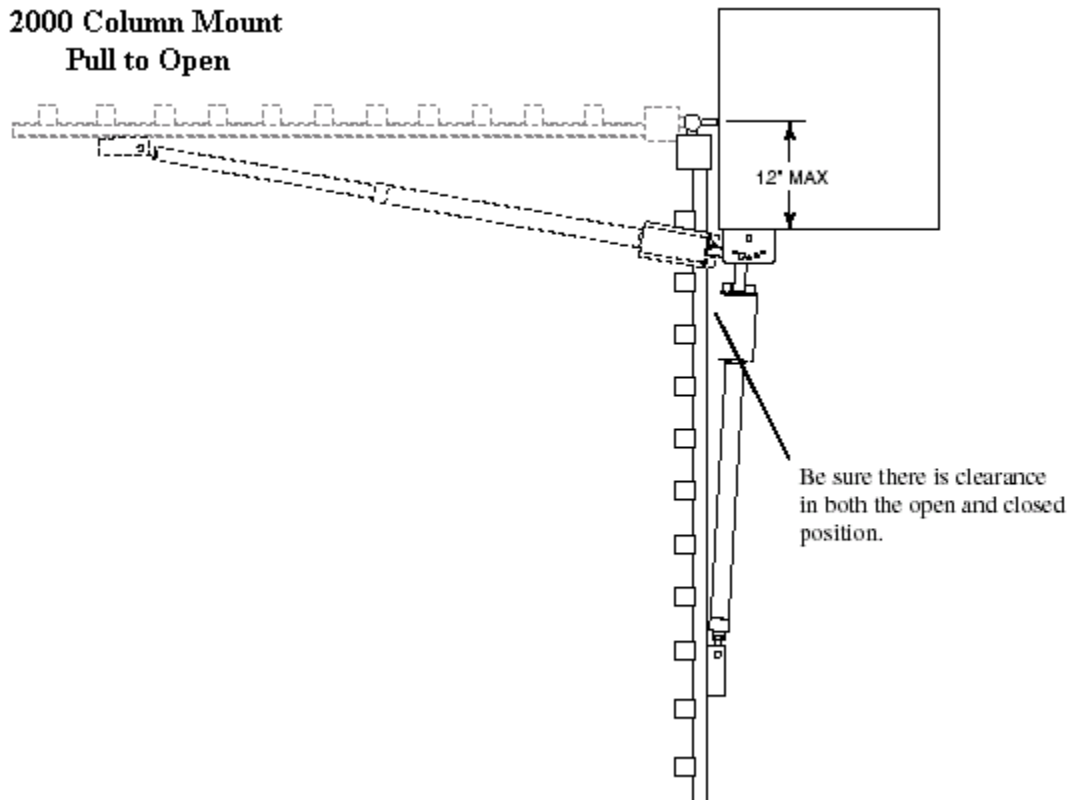


2000 Column Mounting Instructions

Whenever you install the post/column bracket on the post or the column, it is necessary to set up the angle that the operator arm pushes against the gate.

The GTO/PRO 2000 and GTO/PRO 2200 can be mounted on a column, but the gate hinge cannot be more than 12" from the mounting surface of the post bracket.

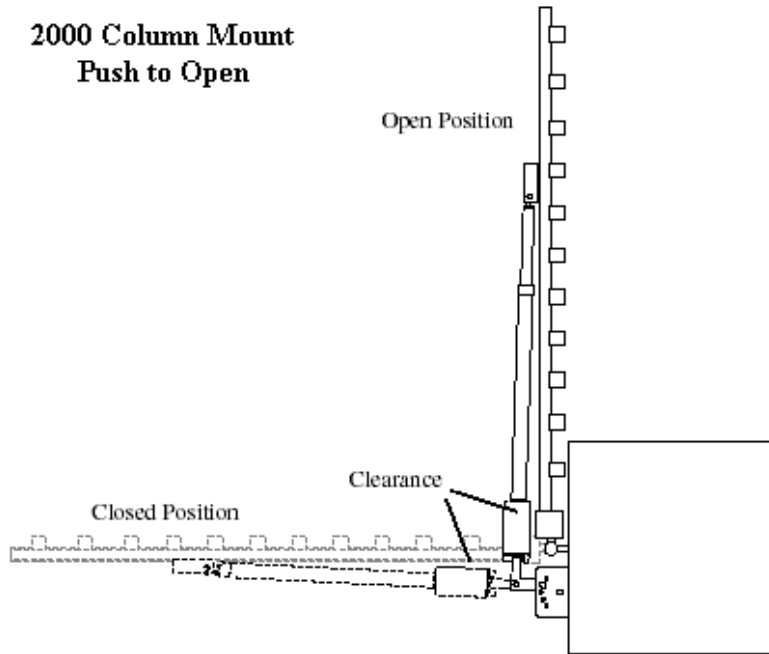


This is necessary for two reasons:

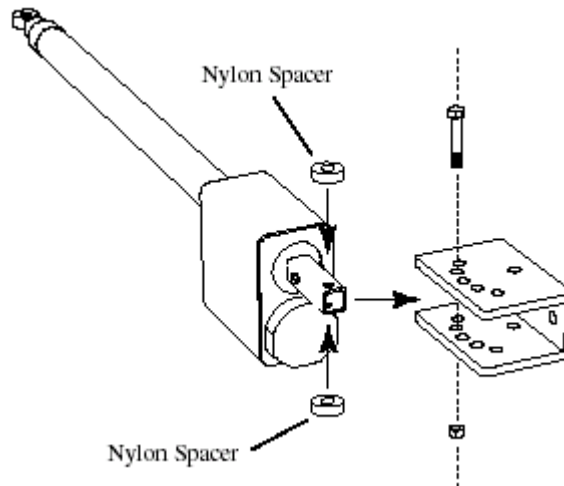
1. You must have 12" or less between the hinge and the post bracket or the operator arm will not swing the gate a full 110 degrees.
2. The operator arm must pull and push on the gate at the proper angle so it does not cause stress on the operator arm that could cause it to blow fuses or sense obstructions.

If it is impossible to mount the operator arm with 12" or less between the hinge and the post bracket as shown, there are three options available that will help you:

1. The simplest solution is to install the opener in a push-to-open configuration.

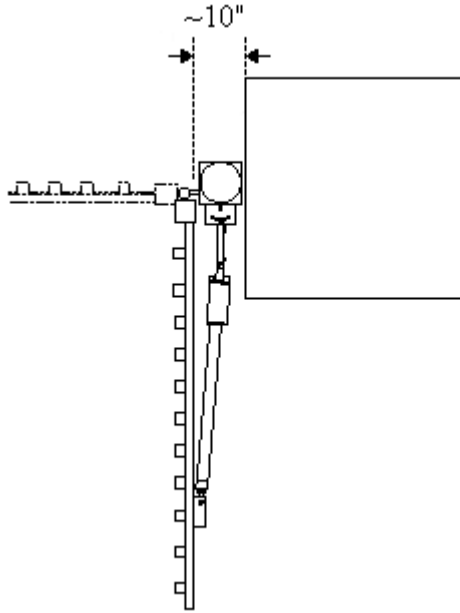


In column applications, the rear mount of the operator can be attached directly to the gate bracket without the use of the post pivot brackets. Use the nylon spacers provided or ten 1/2" washers (5 on top and 5 on bottom) between the rear mount and the gate bracket (see illustration below). Align washers, rear mount holes and gate bracket holes, then secure with 1/2" x 33/4" bolt and lock nut. **When tightening the 1/2" nut, leave it just loose enough for the arm to swing freely.** Be sure there is clearance in both the open and closed position.

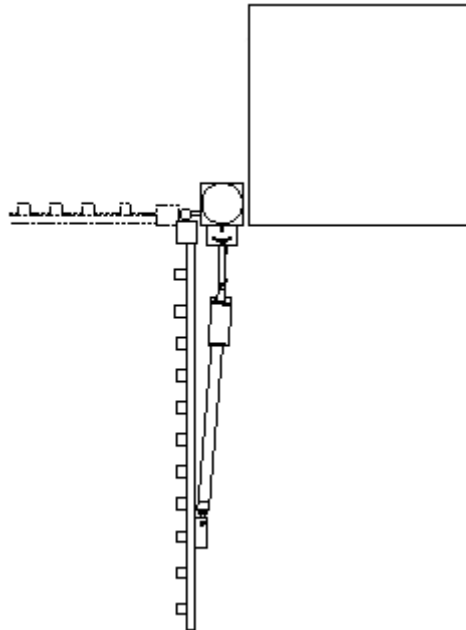


The minimum clearance is easier to achieve and clearance is no longer a problem, since the opener will be pushing the gate away from the column instead of pulling it toward the column. It is recommended that you place a steel plate between the opener mounting brackets and masonry surface for additional strength.

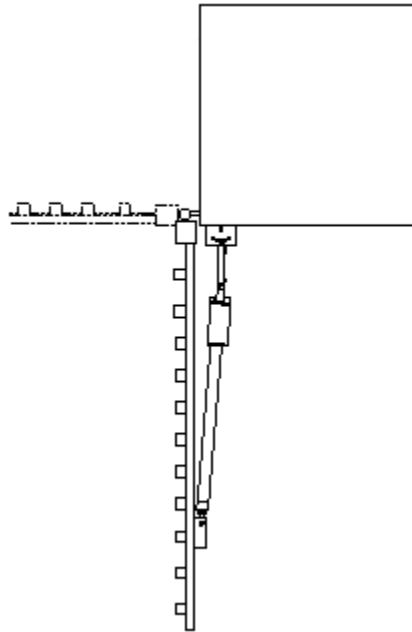
2. If a push-to-open installation is impossible due to traffic hazards, terrain, etc., another option is to re-hang the gate. You may hang it on a post in the center of the column. You will need approximately 10" of clearance between the gate when it is open and the column to make room for the operator arm. Pay attention to the clearances during installation to ensure that there is no binding or pinching.



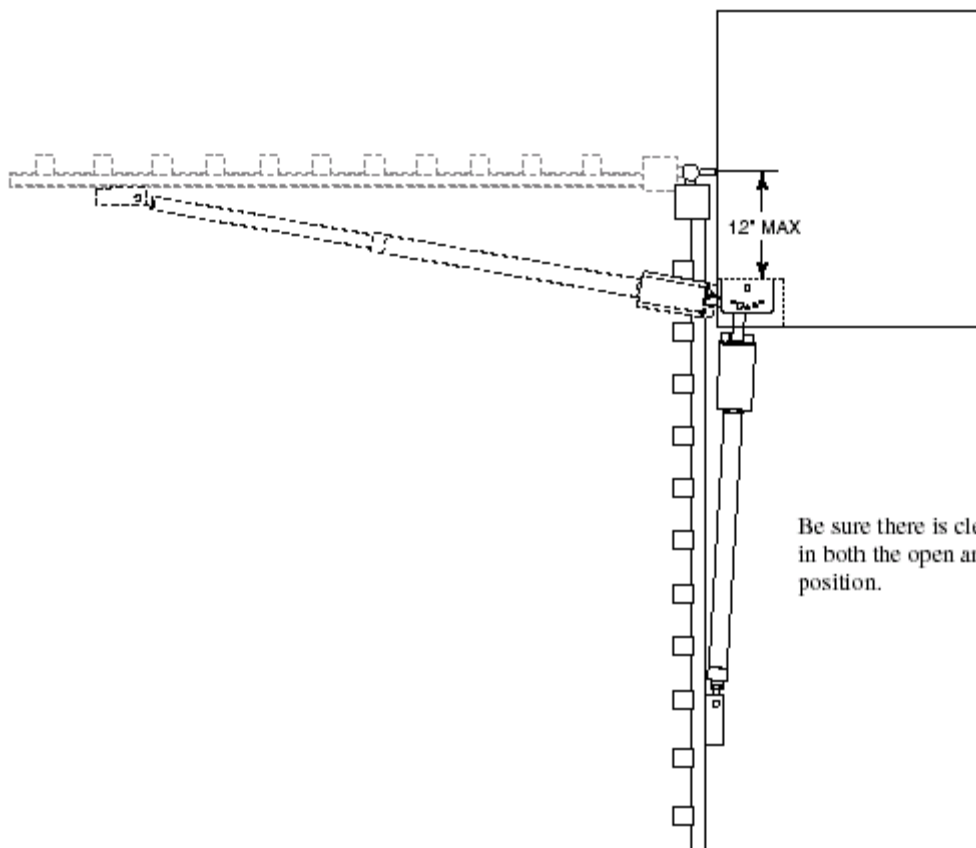
You may hang the gate on a post at the back corner of the column.



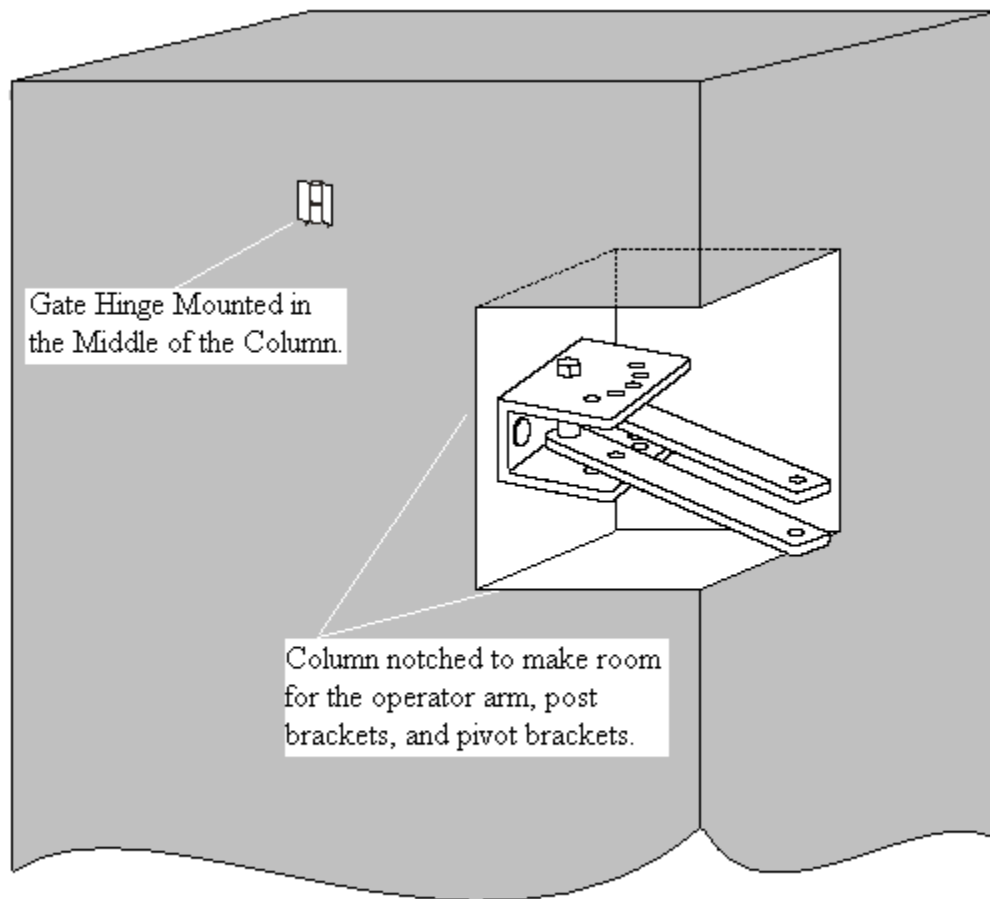
You may hang the gate on the back corner of the column.



3. The most difficult solution is to cut a notch in the column to accommodate the opener and power cable. This job is **NOT** for the inexperienced!



Be sure there is clearance
in both the open and closed
position.



* This picture is for reference only. It is not drawn to scale.