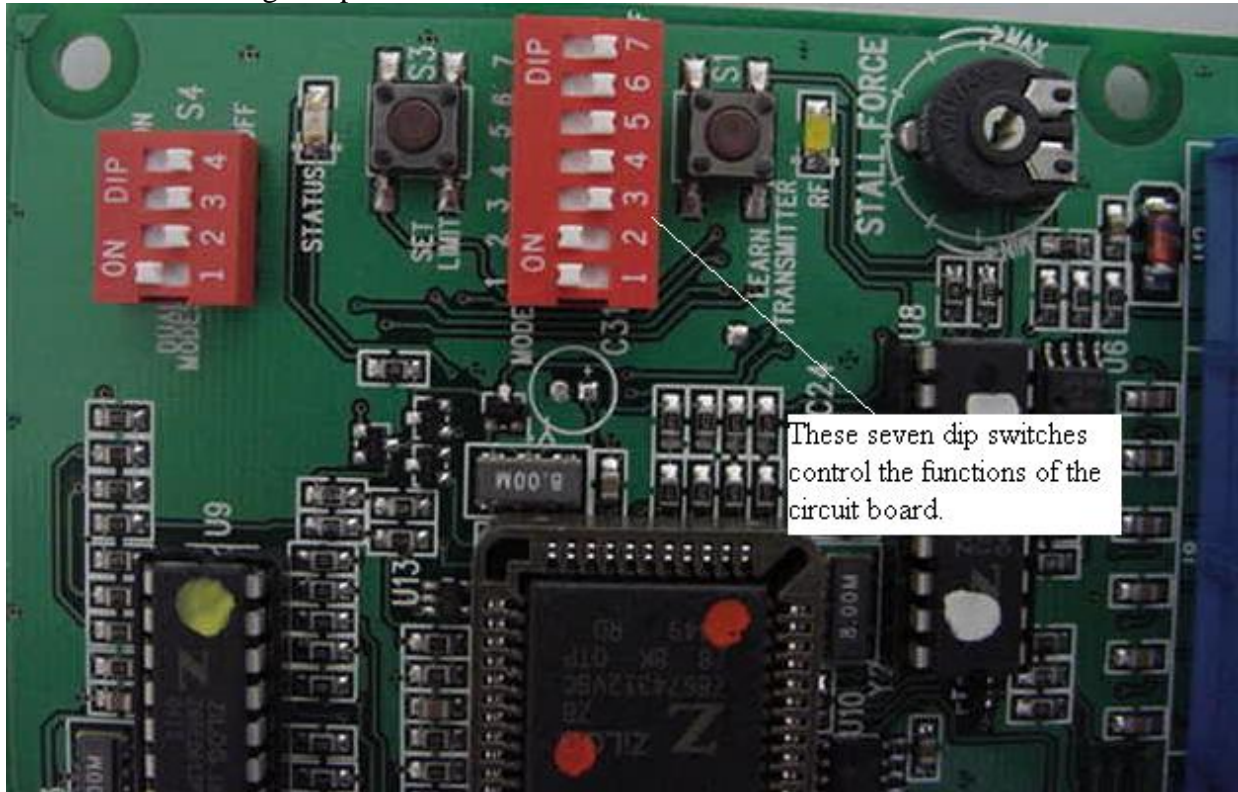


Dip Switch Settings

To set the dip switches on the control board for a Mighty Mule 500/502, PRO 2500/2502, PRO 3000/3200, or PRO 4000/4200, follow these instructions:

- 1) Locate the seven dip switches on the control board. These control the different functions of the gate opener.



CONTROL BOARD SETTINGS

DIP Switches

Main DIP Switch Settings (MODES)

DIP Switch #1 - Soft Start/Stop

The Soft Start/Stop feature slowly starts the gate as it begins to open and slows the gate as it comes to the closed position. This saves wear and tear on the gate and gate opener system.

DIP Switch #2 - Warning Buzzer

The Warning Buzzer alerts you when the gate opener is beginning to either open or close the gate. It sounds for the first 2 seconds in each direction. It also sounds a warning when the gate obstructs two times in one cycle. Switching this to OFF only disables the open and close warning not the obstruction warning.

DIP Switch #3 - Auto-Close

With the Auto-Close switch in the OFF position the gate will remain open until it receives another signal from an activation device such as a transmitter, keypad, or push button control. With the Auto-Close switch in the ON position the gate opener will automatically close the gate. The time the gate will remain open is determined using DIP Switches #6 and #7.

DIP Switch #4 - Push/Pull-to-Open

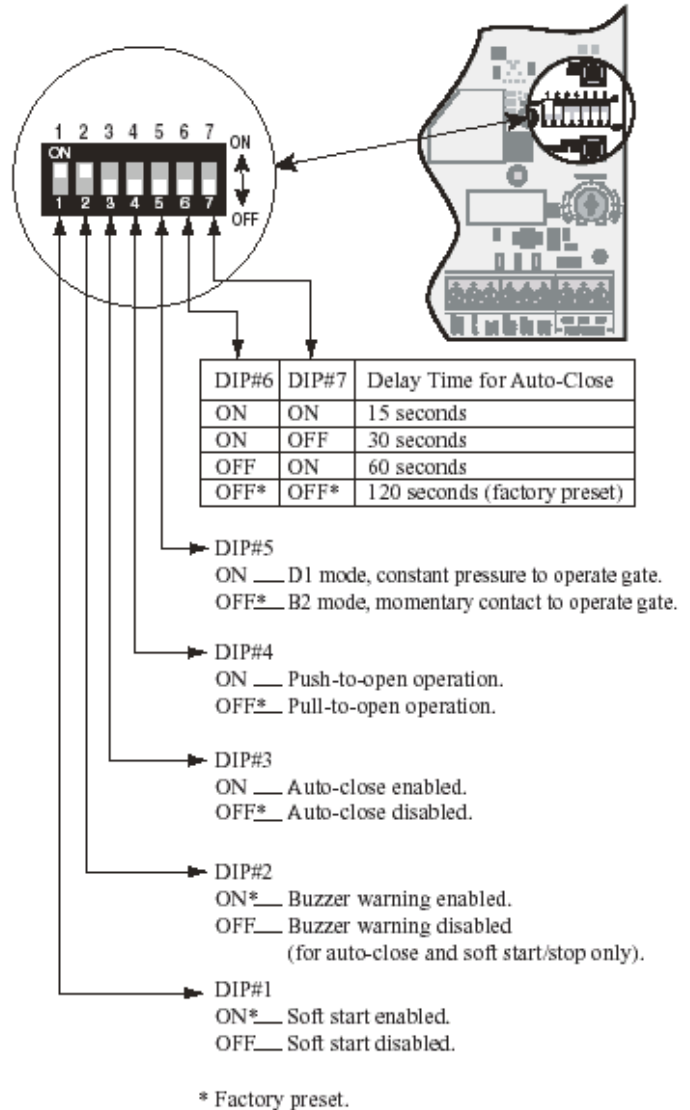
If your gate opens into the property the DIP Switch is set to OFF (factory). If your gate opens out from the property the DIP Switch must be set to the ON position. NOTE: if you have a Push-to-Open gate application you will need a Push-to-Open bracket (see Push-to-Open Instructions on page 30).

DIP Switch #5 - B2/D1 Mode

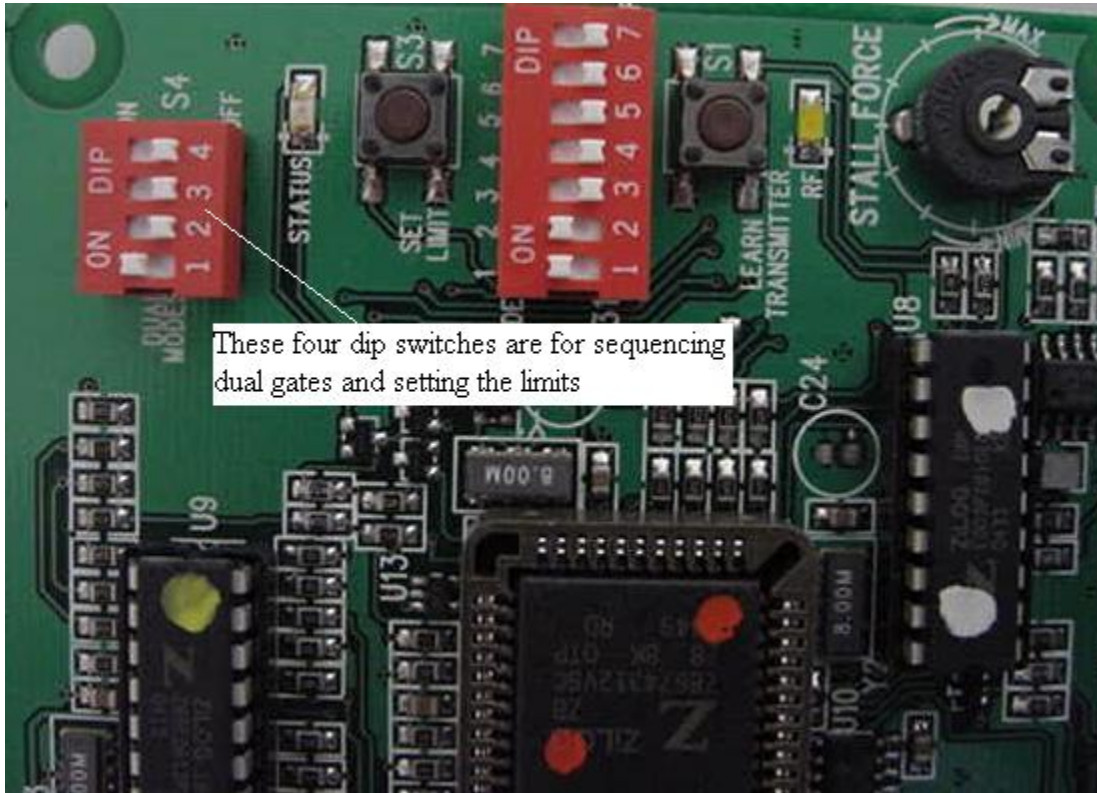
This DIP Switch must remain in the OFF position unless the gate opener is going to be used by a guard or gate attendant, who can only open the gate when constant pressure is applied to a push button control device.

DIP Switches #6 and #7

The combination of these two switches determines the amount of time the gate will remain open when DIP Switch #3 is set in the ON position.



If you have a dual gate opener, Mighty Mule 502, PRO 2502, PRO 3200, or PRO 4200, locate the four dip switches to program the sequence that the master and slave operators close.



Dual Gate DIP Switch Settings (DUAL MODES)

DIP Switches #1 and #2 (Factory Set OFF/OFF)

The combination of DIP Switches #1 and #2 will determine the sequence dual gates will open and close.

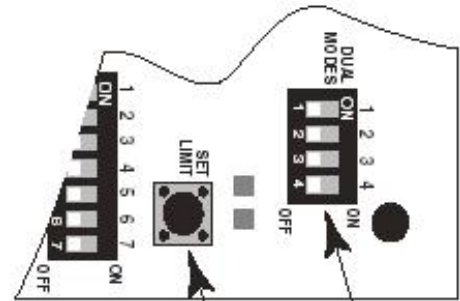
DIP Switch #3 - Additional Delay (Factory Set OFF)

To add 4 seconds to the standard 4 seconds, a total of 8 seconds delay, sequence delay switch to ON.

DIP Switch #4 - Used to set MASTER and SLAVE gate closed position limits (next section).

#4 ON – when setting closed limit for SLAVE gate.

#4 OFF – when setting closed limit for MASTER gate.



#1 OFF & #2 OFF		Factory setting. Single Arm (Master Only) operation.
#1 ON, #2 OFF and #3 OFF		MASTER gate starts to open 2 seconds before SLAVE gate / SLAVE gate starts to close 4 seconds before MASTER gate.
#1 ON, #2 OFF and #3 ON*		MASTER gate starts to open 2 seconds before SLAVE gate / SLAVE gate starts to close 8 seconds before MASTER gate.
#1 OFF, #2 ON and #3 OFF		MASTER and SLAVE gates open simultaneously / SLAVE gate starts to close 4 seconds before MASTER gate.
#1 OFF, #2 ON and #3 ON		MASTER and SLAVE gates open simultaneously / SLAVE gate starts to close 8 seconds before MASTER gate.

* REQUIRED SETTING for use with an Automatic Gate Lock accessory.