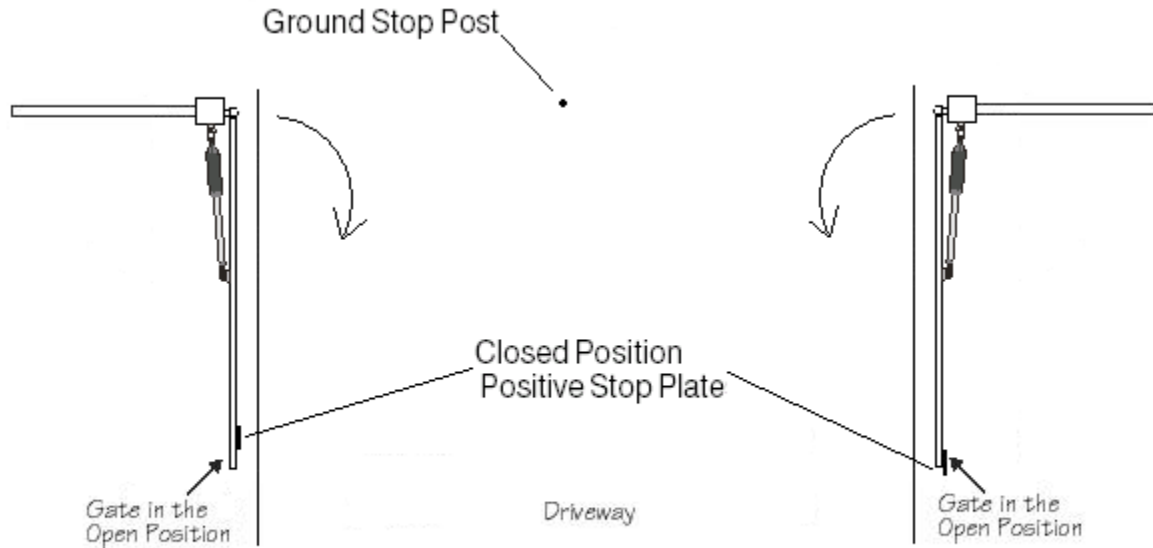


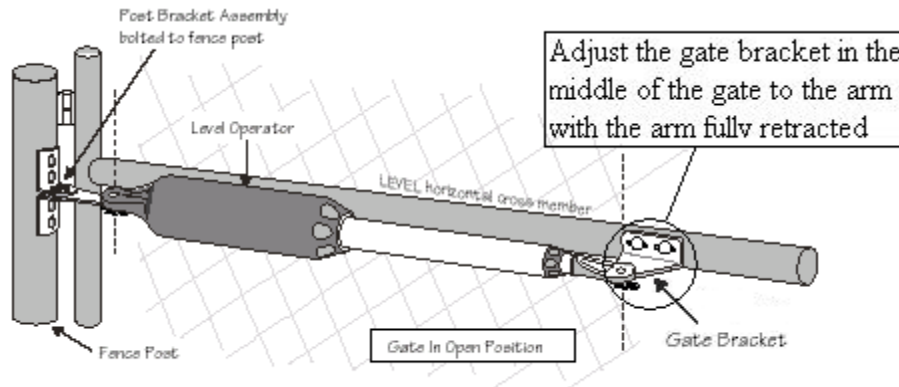
## 3200 Setting the Closed Position Limit on a Pull to Open Gate

To set the closed position limit on a pull to open dual gate opener for a PRO 3200 follow these instructions:

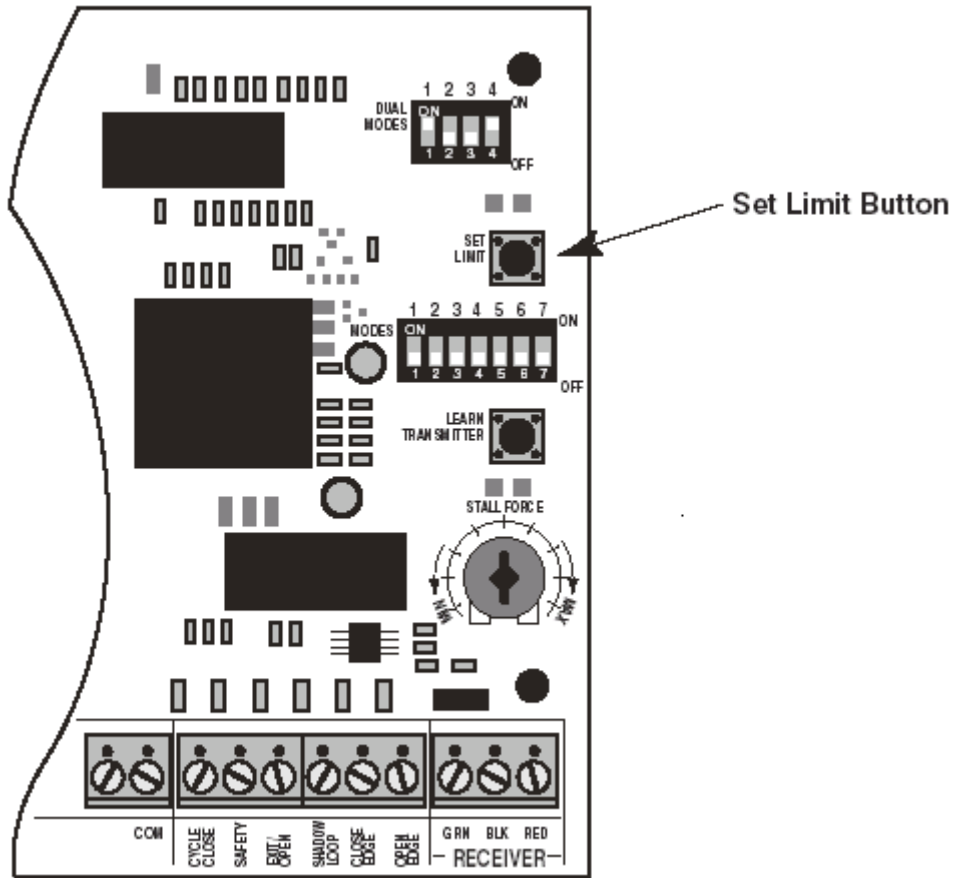


If the gate opens into the property as shown, it is a pull to open gate.

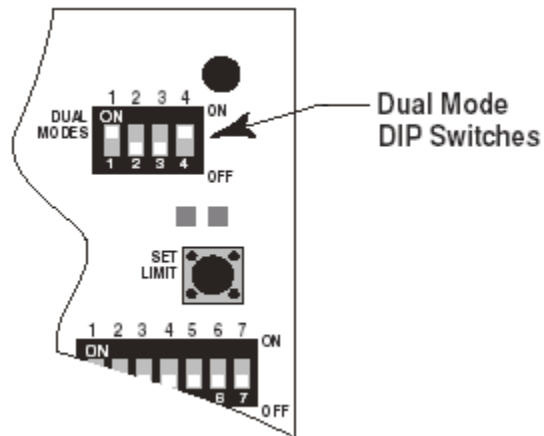
- 1) Make sure that both gates open properly. If one or both gate leaves open too far or obstruct, you may need to readjust the gate bracket in the middle of the gate.



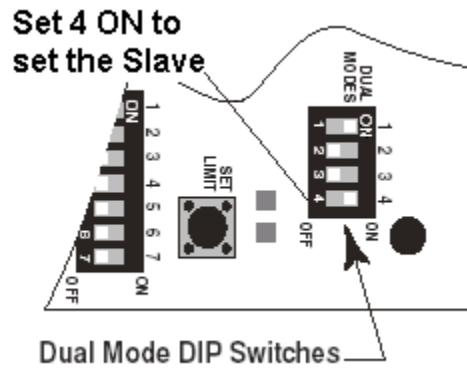
- Once the open position is adjusted for both the Master and Slave gate, use the Set Limit button to adjust the closed position limits.



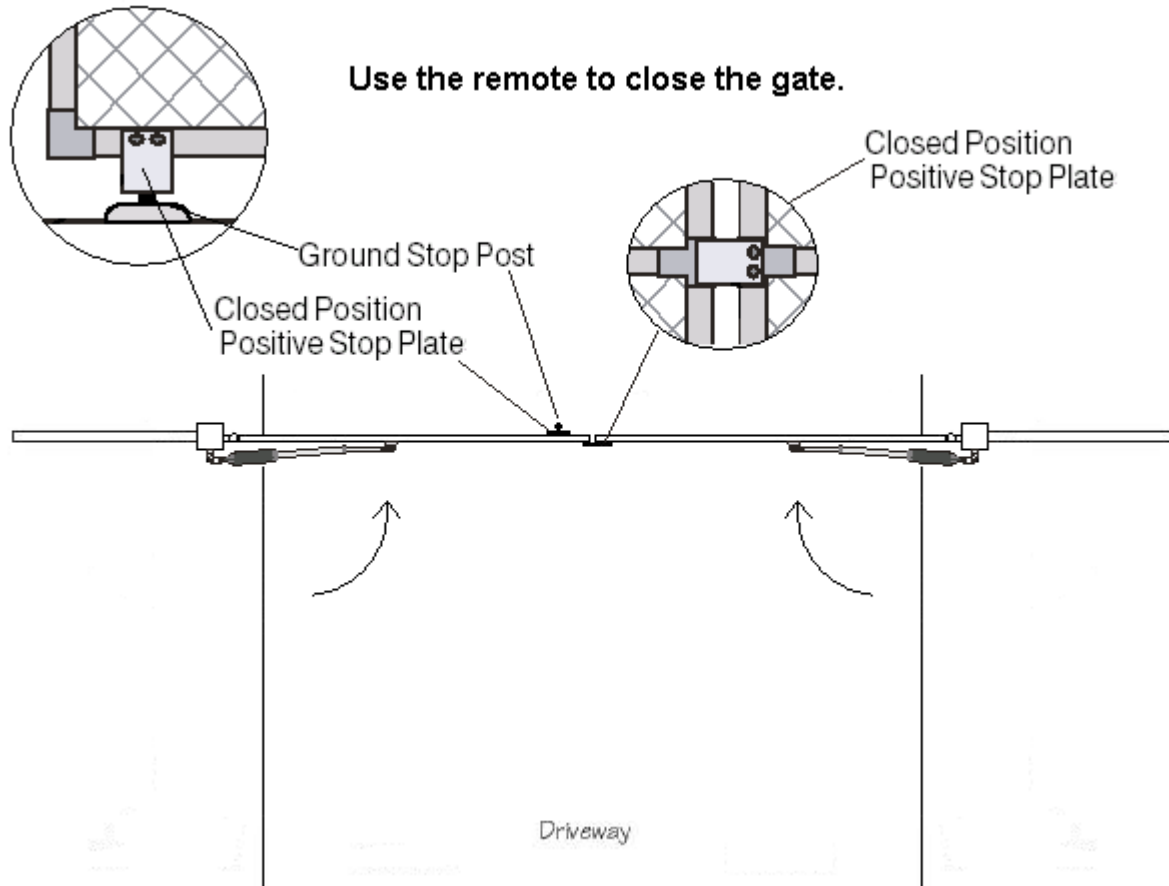
- Locate the four dipswitches for the dual modes on the main circuit board.



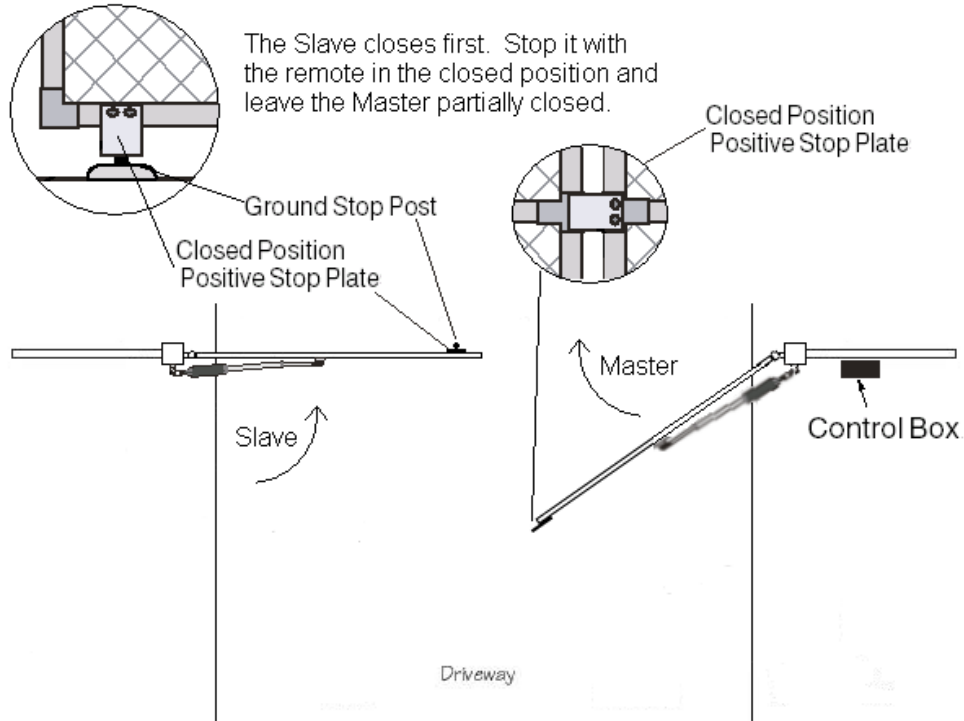
- 4) With the Master and the Slave in the full open position, set the # 4 dip switch on to set the closed position limit for the Slave.



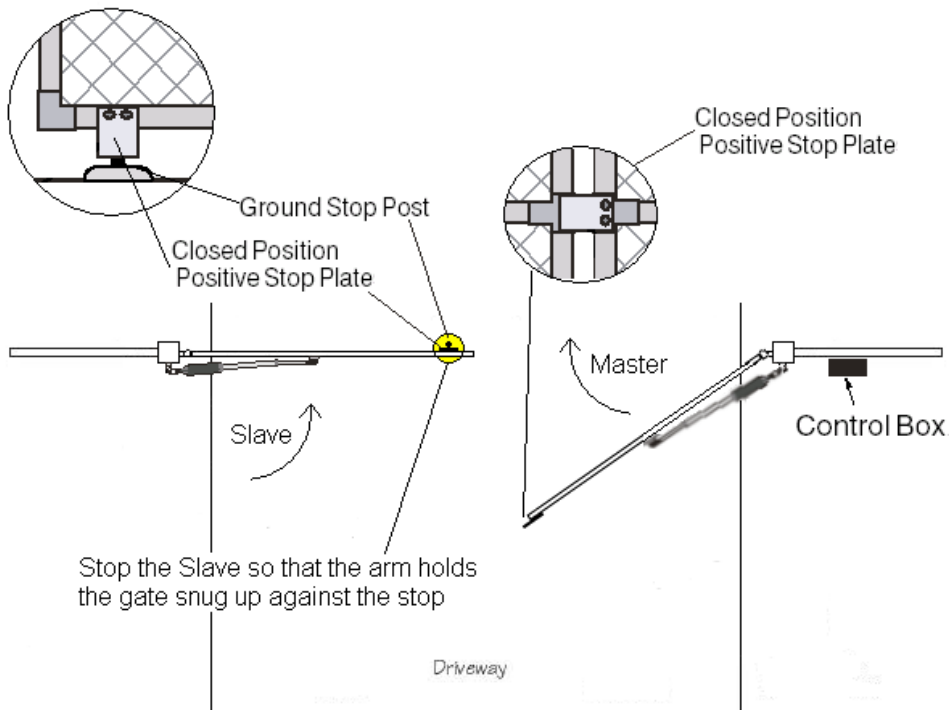
- 5) Use the remote, keypad, or push button to close the gates.



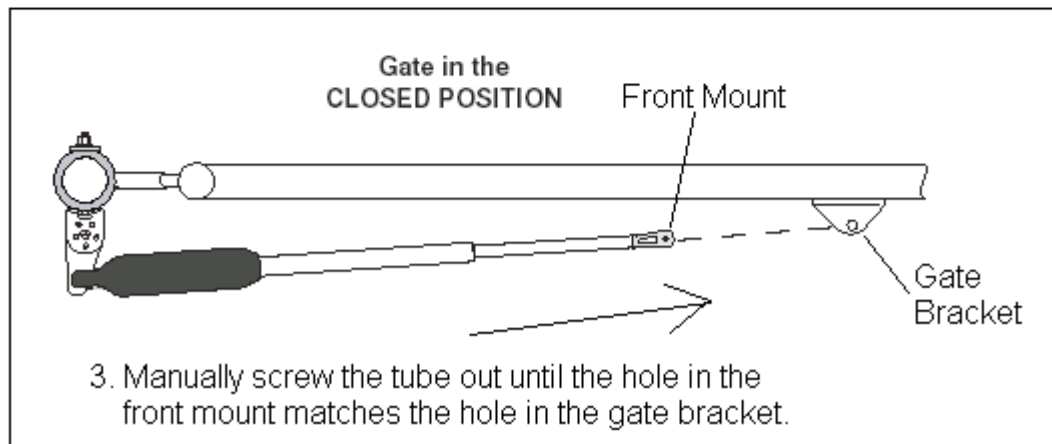
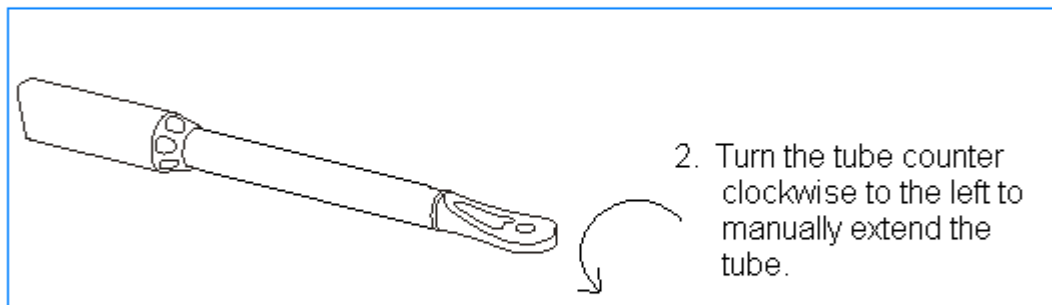
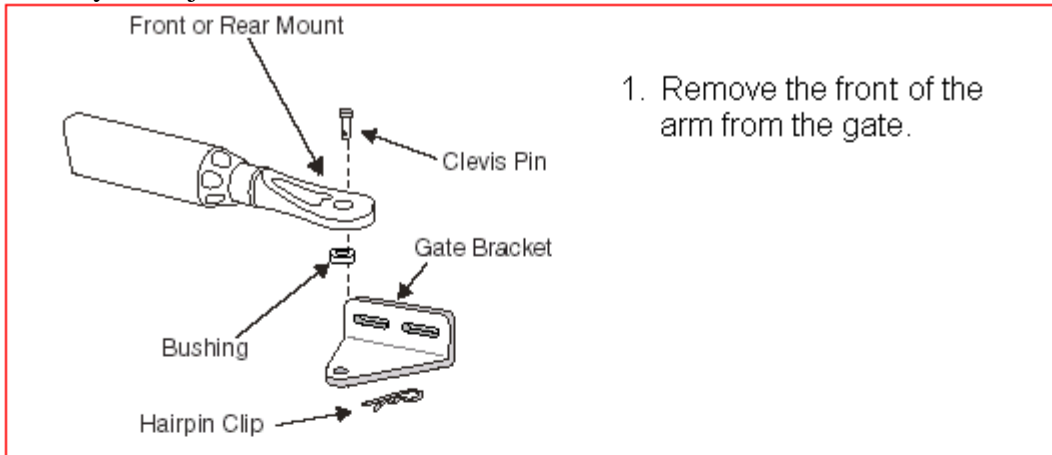
- 6) The Slave starts to close first. Watch the Slave and be ready to stop it with the remote, keypad, or push button when it gets to the closed position.



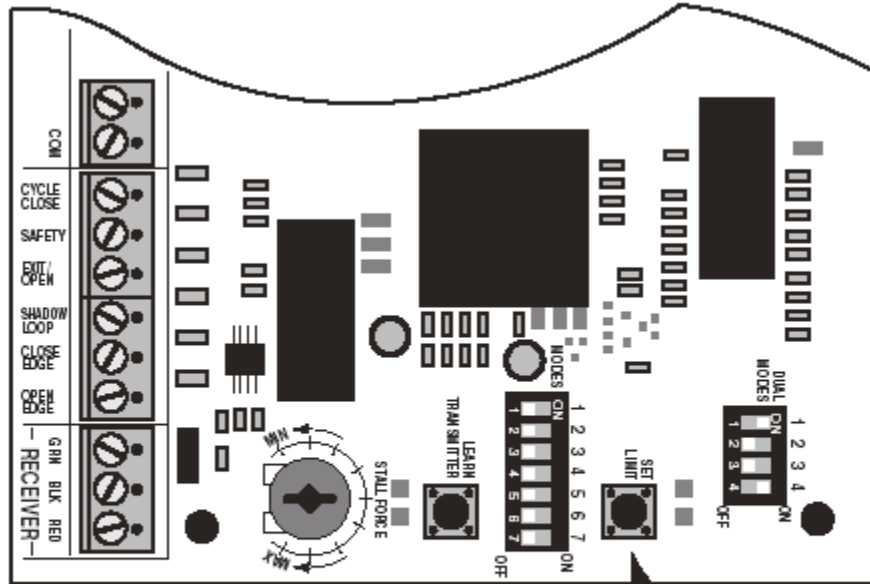
- 7) You want the motor to stop the second the Slave touches the closed position stop so the gate opener holds the Slave snug against the closed position stop. The Master will not be fully closed, but it does not matter. You will set those limits later.



- 8) If necessary, you can pull the clevis pin attaching the Slave arm to middle of the Slave gate and manually screw the Slave push/pull tube in or out until the Slave gate is in the desired closed position. Reattach the Slave arm to the Slave gate once you make your adjustments.

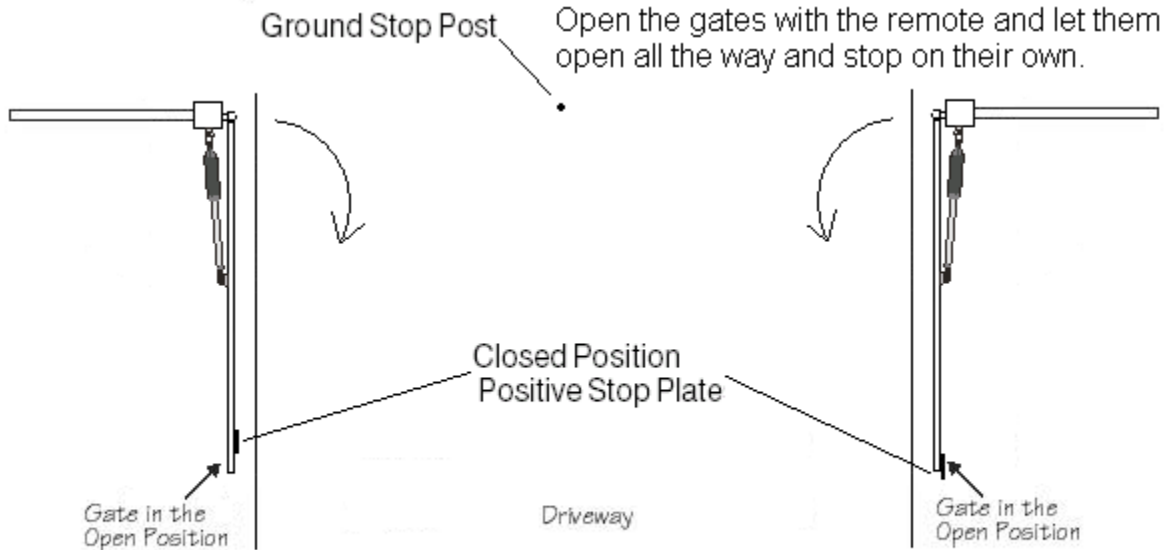


- 9) Once the Slave is in the ideal closed position, go to the control board and hold down the set limit button for 5 seconds.



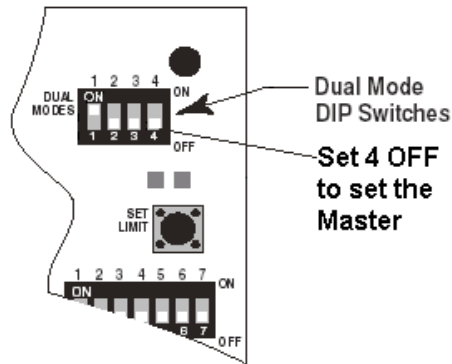
Set Limit Button

- 10) Press the remote, keypad, or push button and make sure that both gates open up to the full open position.

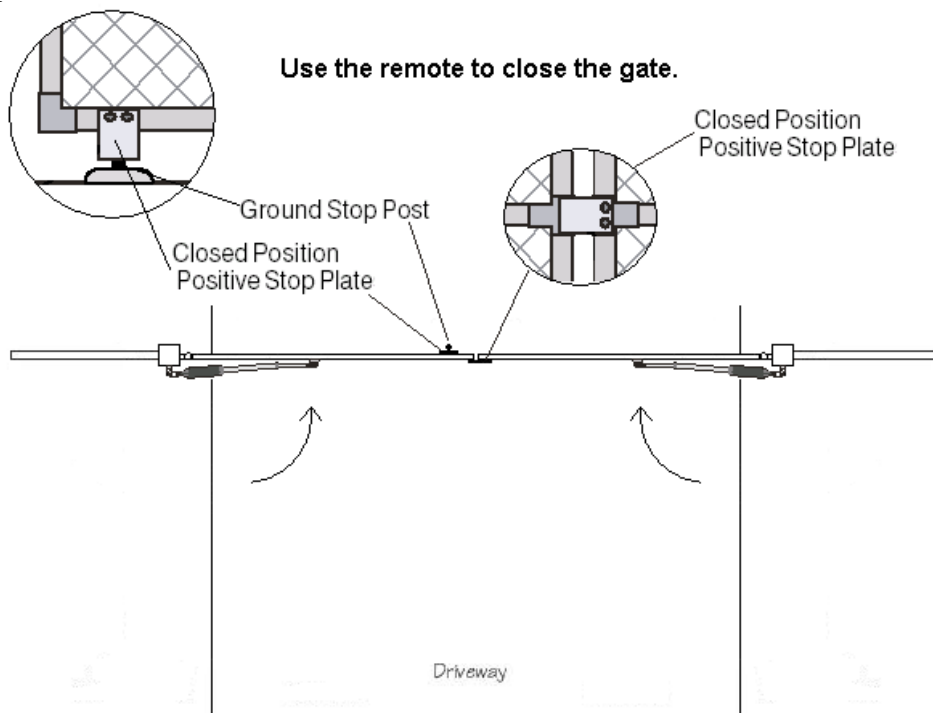


If the gate opens into the property as shown, it is a pull to open gate.

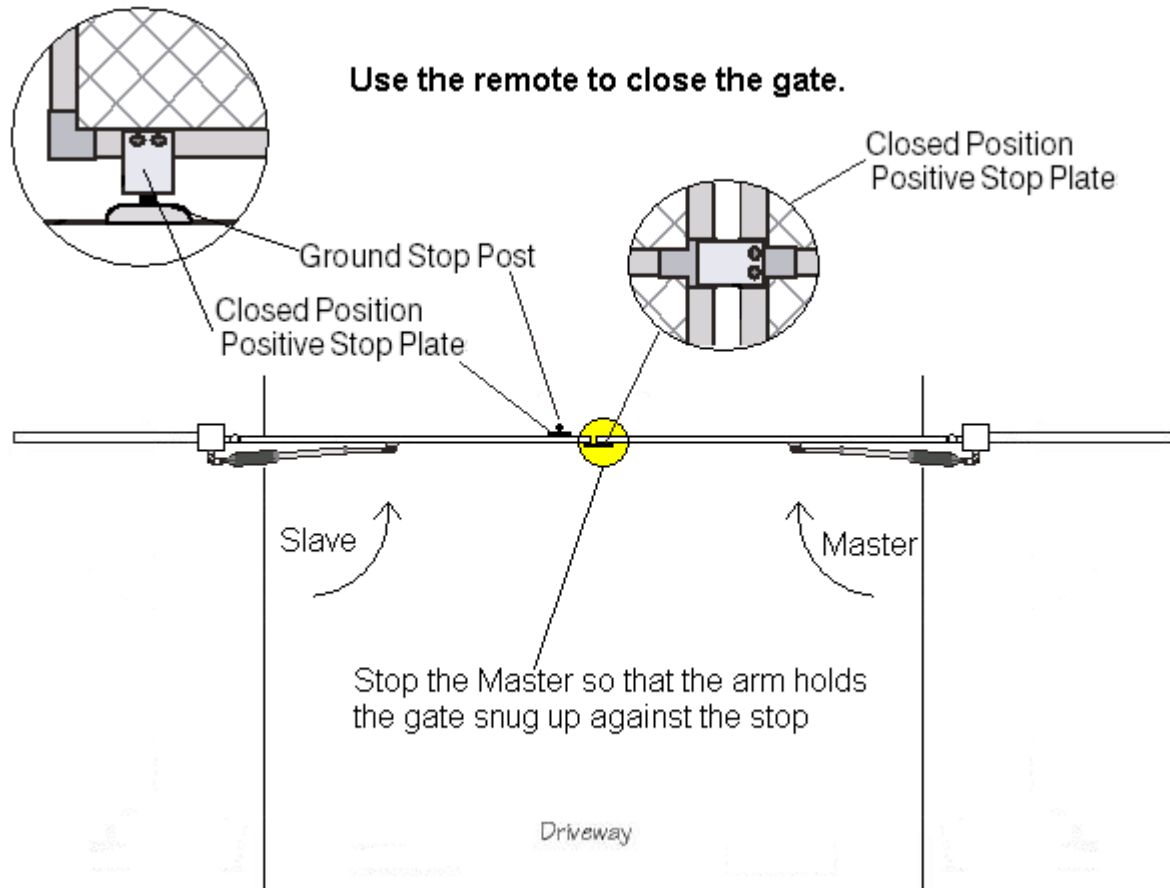
- 11) Once the gates are opened fully and stopped, the circuit board should “remember” where to close the Slave gate.
- 12) If you set the limits too short, you can clear the previously programmed Slave limits by opening the Slave gate to the full open position. Hold down the Set Limit button for 10 seconds with the #4 switch for the dual modes on. Repeat the steps for programming the Slave limits.
- 13) Once the limits for the Slave are set, you are ready to set the limits for the Master.
- 14) Set the #4 dip switch for the dual modes off.



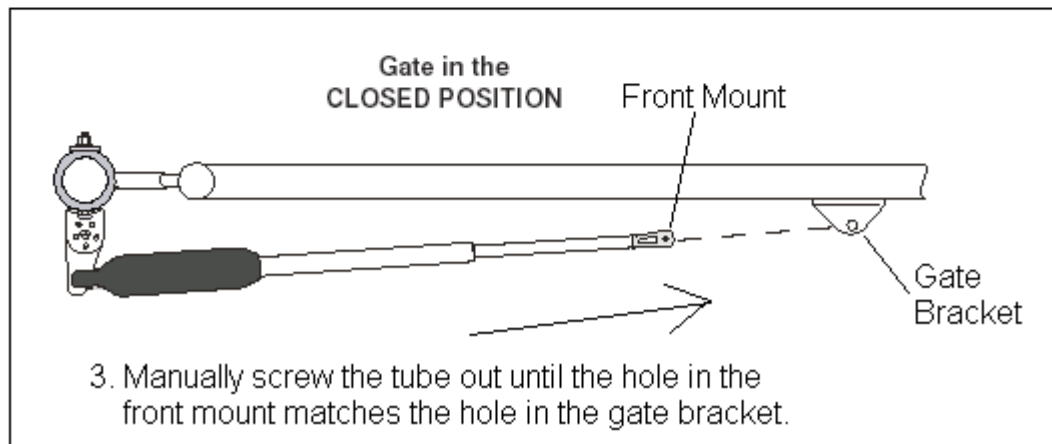
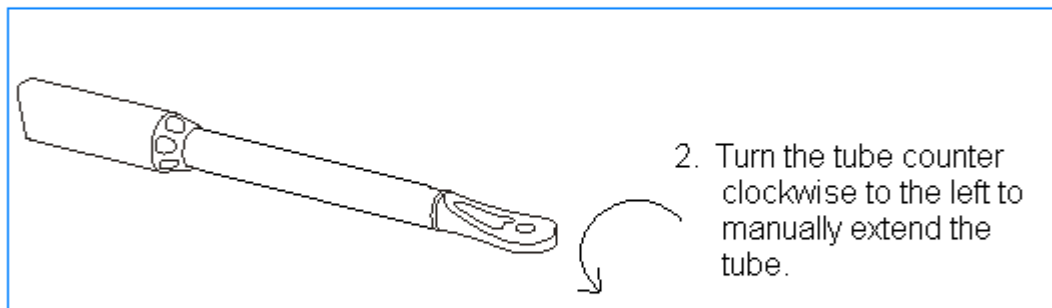
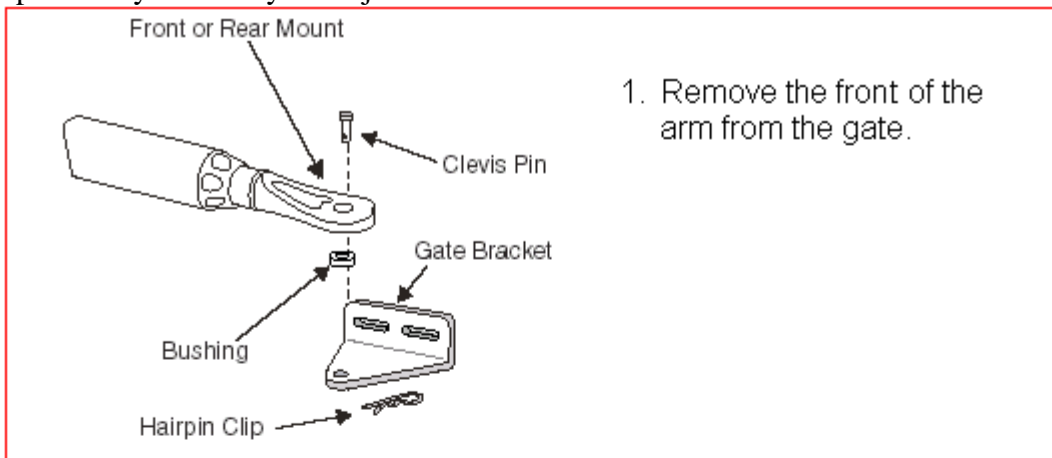
- 15) Press the remote, keypad, or push button to close the gates.
- 16) The Slave should start first, close, and stop on the limit. Watch the Master and be ready to stop it when it gets to the closed position with the remote, push button, or keypad.



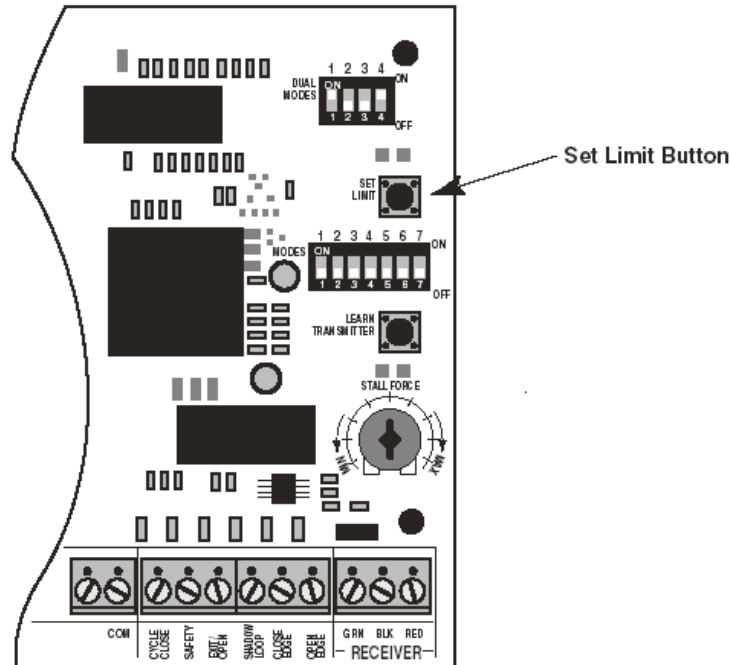
17) You want the motor to stop the second the Master gate touches the closed position stop so that the gate opener holds the Master gate snug against the closed position stop.



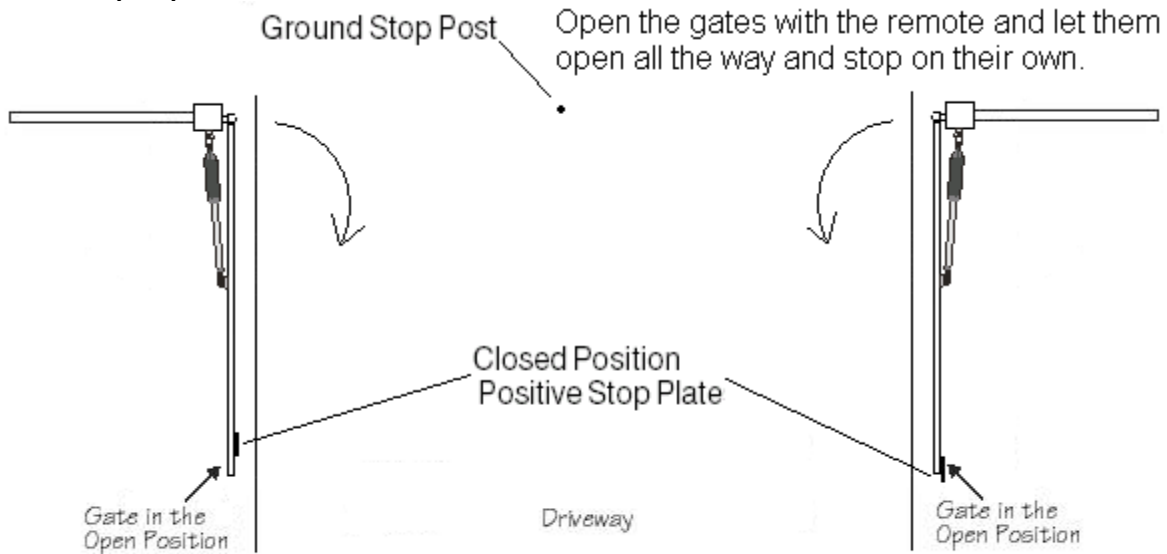
18) If necessary, you can pull the clevis pin attaching the Master arm to Master gate and manually screw the Master push/pull tube in or out until the Master gate is in the desired closed position. Reattach the Master arm to the Master gate with the clevis pin once you make your adjustments.



19) Once the Master gate is in the ideal closed position, go to the control board and hold down the set limit button for 5 seconds.



20) Press the remote, keypad, or push button and make sure that both gates open up to the full open position.



If the gate opens into the property as shown, it is a pull to open gate.

21) Once the gates are opened fully and stopped, the circuit board should “remember” where to close the Master gate.

22) If you set the limits too short, you can clear all the previously programmed Master limits by opening the Master gate to the full open position. Hold down the Set Limit

button for 10 seconds with the #4 switch for the dual modes off. Repeat the steps for programming the limits on the Master.