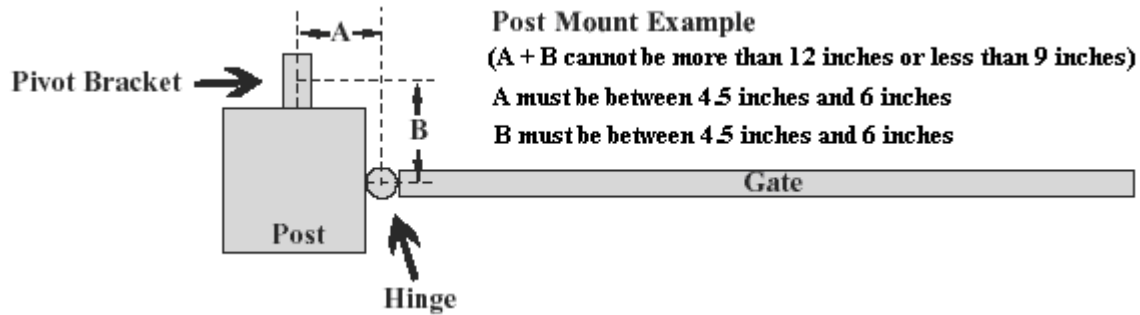


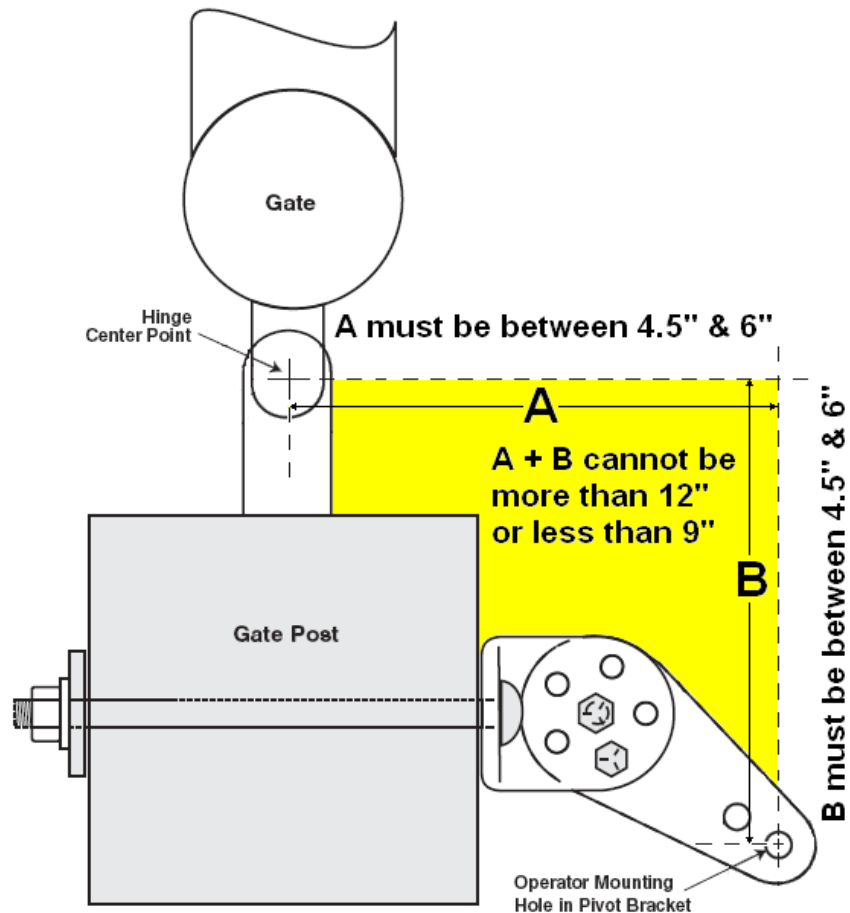
FM362-D A + B Rule

Whenever you install the post bracket on the post or the column, it is necessary to set up the angle that the operator arm pushes against the gate.



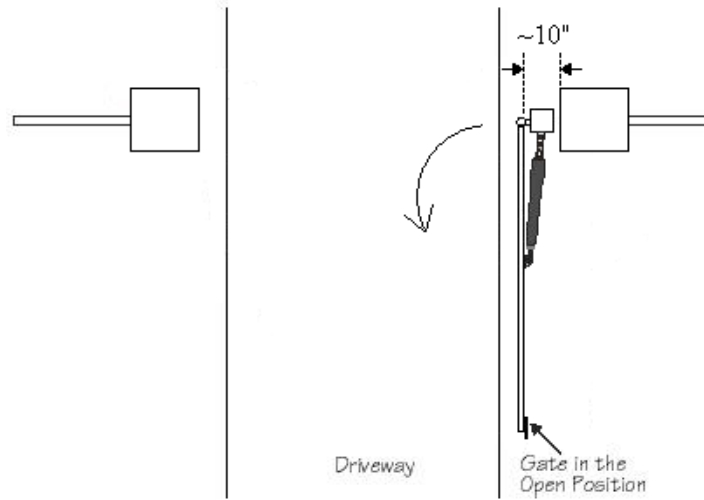
This is necessary for two reasons:

1. You must obey the “A+B cannot be more than 12 inches or less than 9 inches rule” or the operator arm will not swing the gate a full 110 degrees.
2. The operator arm must pull and push on the gate at the proper angle so it does not cause stress on the operator arm that could cause it to blow fuses or sense obstructions.



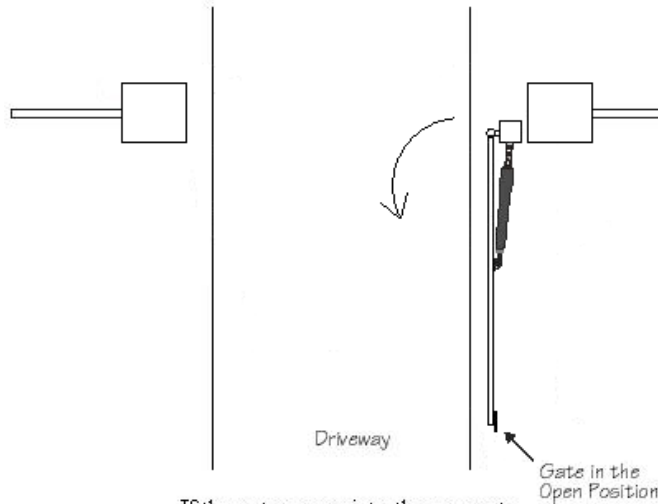
If it is impossible to obey A+B as shown, another option is to re-hang the gate:

You may hang it on a post in the center of the column. You will need approximately 10" of clearance between the gate when it is open and the column to make room for the operator arm. Pay attention to the clearances during installation to ensure that there is no binding or pinching.



If the gate opens into the property as shown, it is a pull to open gate.

You may hang the gate on a post at the back corner of the column.



If the gate opens into the property as shown, it is a pull to open gate.