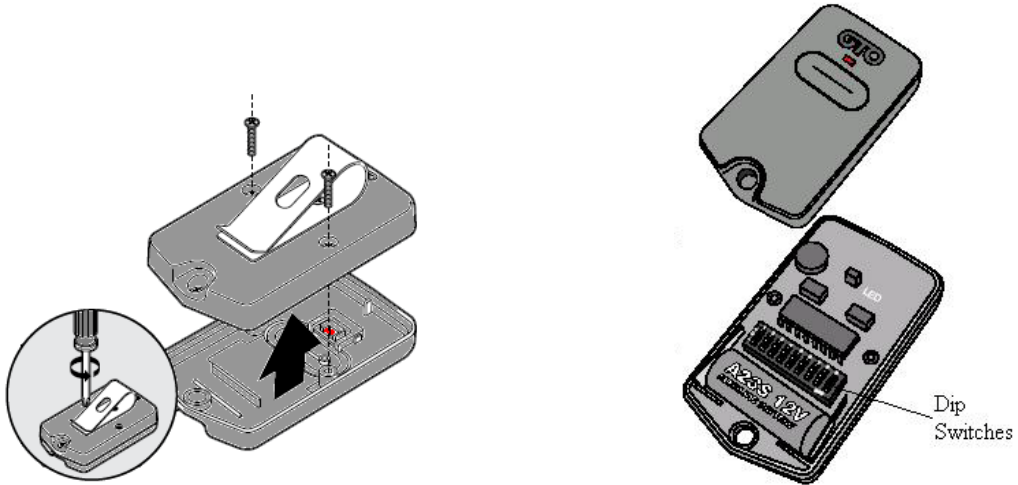


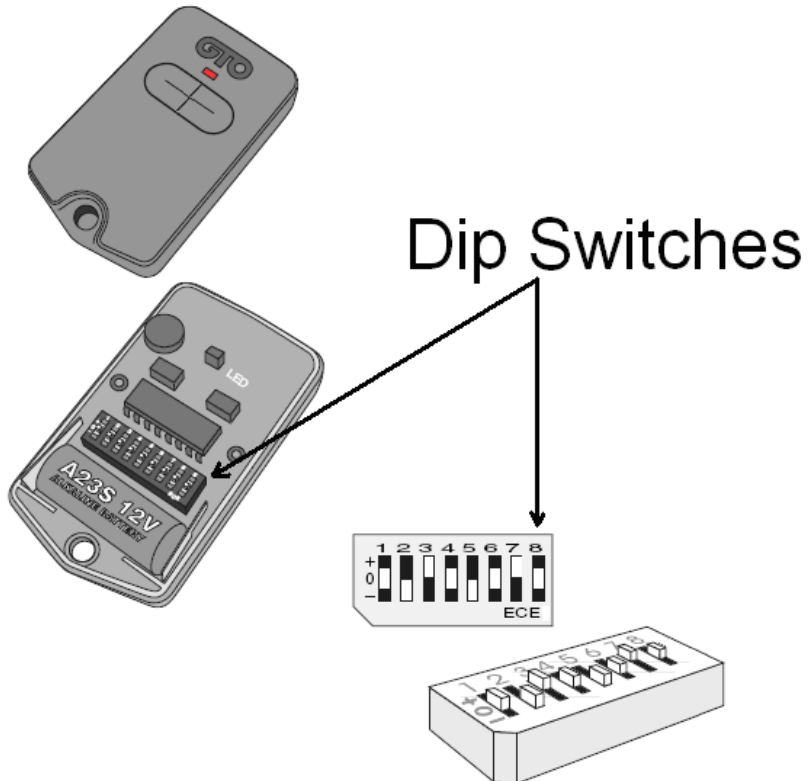
## 362-D Learn Remote Dual Button Keychain

To program the dual button transmitter to open a gate:

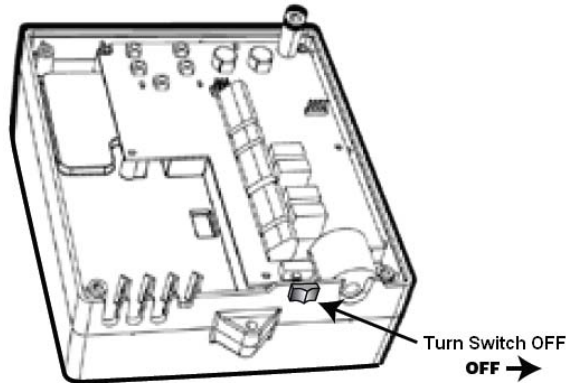
1. Remove the cover from the dual remote transmitter.



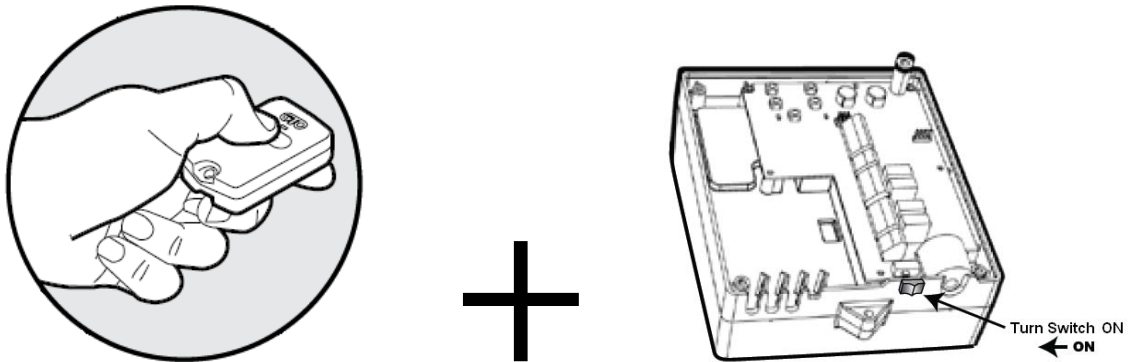
2. Rearrange the eight dip switches above the battery inside the dual remote to any combination as long as they are not all +s, all 0's, or all -s.



3. Locate the ON/OFF Switch on the bottom of the control box and turn it to the OFF position.



4. Press and hold one of the remote transmitter buttons while turning the ON/OFF Switch to the ON position. You must be within 5 feet of the control box with the transmitter.



5. Continue to hold the remote transmitter button until the alarm sounds.



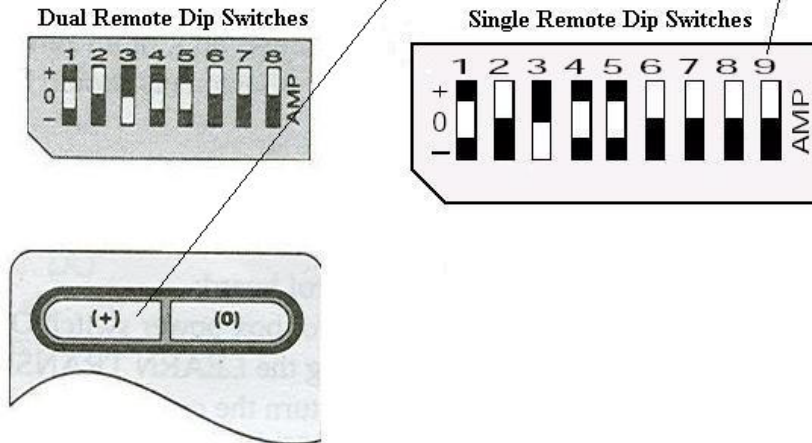
**Keep holding the remote button until the alarm sounds.**

6. At this point, you should be able operate the gate with one button on the dual remote.
7. Repeat steps 3 and 4 to program the second button on the dual remote to a second gate opener.

**You can program a single button remote or keypad to open the gate.**

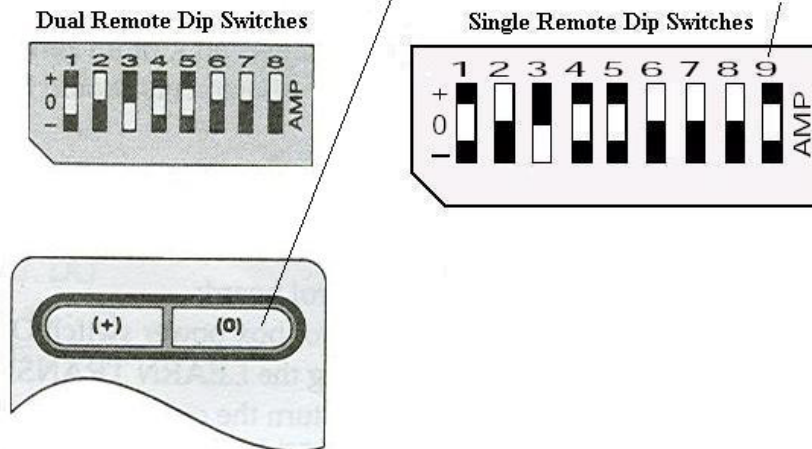
1. If you programmed the left button on the dual remote to open the gate, then set the first eight dip switches in the single button remote or keypad exactly the same as the eight dip switches in the dual remote. Then set the ninth dip switch in the single button remote or keypad to a +.

To make the single remote work with the left button on the dual remote, set the first eight switches the same and set the ninth switch to a plus.



2. If you programmed the right button on the dual remote to open the gate, then set the first eight dip switches in the single button remote or keypad exactly the same as the eight dip switches in the dual remote. Then set the ninth dip switch in the single button remote or keypad to a 0.

To make the single remote work with the right button on the dual remote, set the first eight dip switches the same and set the ninth switch to zero.



3. The ninth dip switch on the single button remote cannot be set to a (-) and be used with a dual button remote. If you have already programmed a single button remote and the ninth dip switch is set to a (-), then use the dual button remote and begin programming following the instructions beginning at step 1 on page 1.