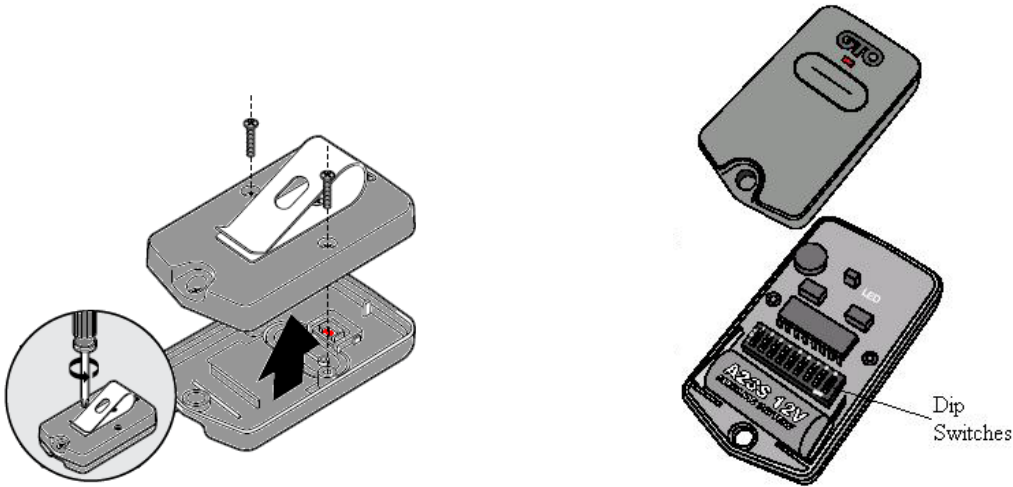


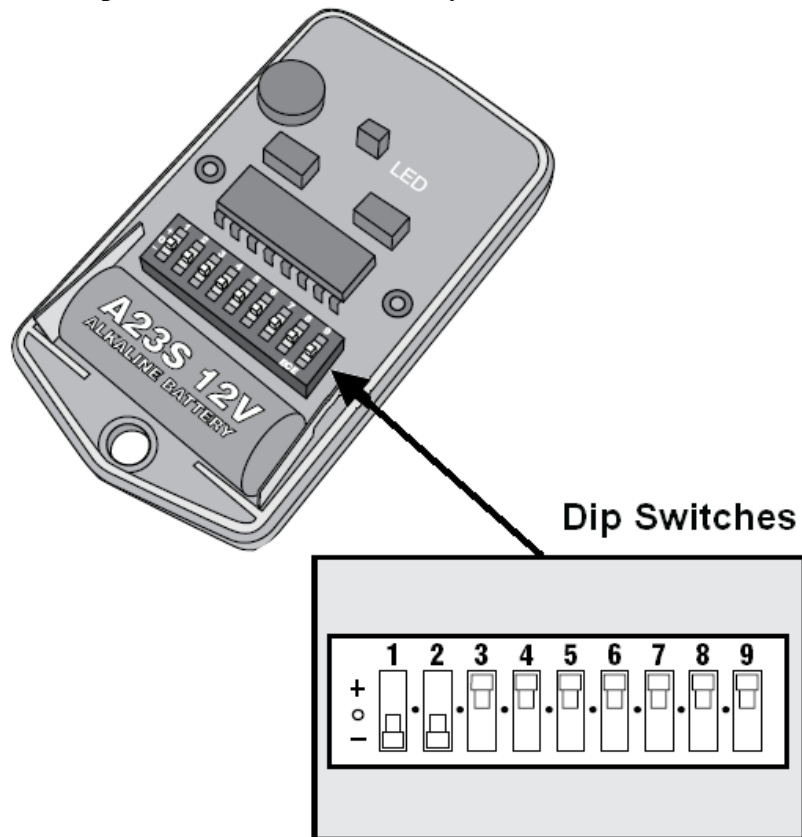
362-D Learn Remote Single Button

First, set the dip switch settings in your remote transmitter and go through the "learn" process with the main circuit board. You can do this by doing the following:

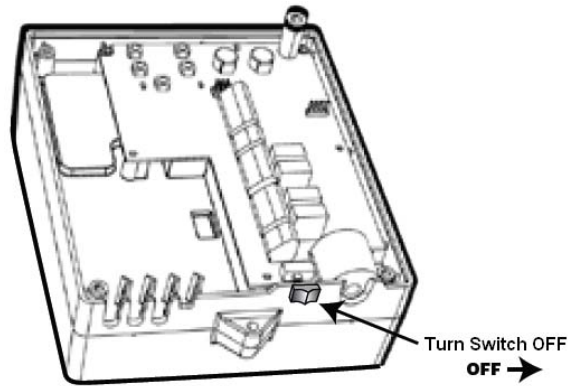
1. Remove cover from your remote transmitter.



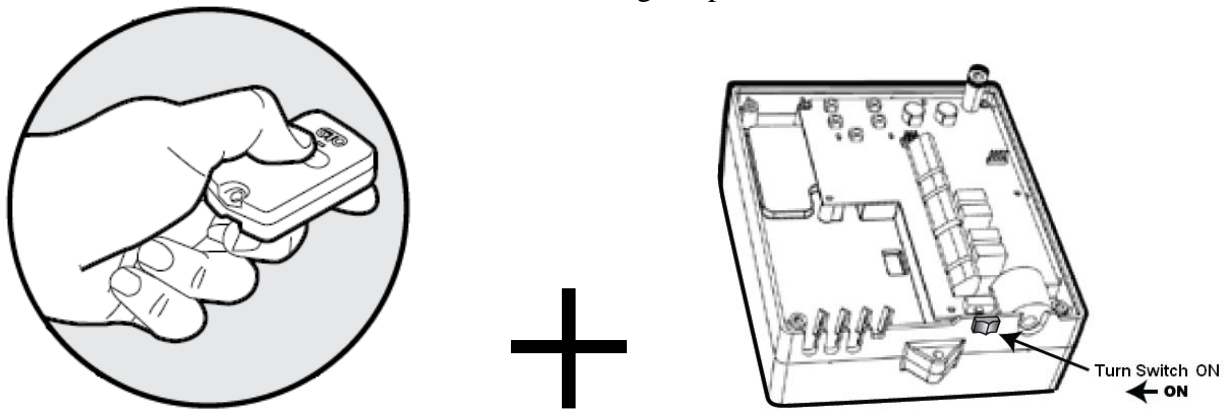
2. Scramble the nine dip switches above the battery inside the remote transmitter.



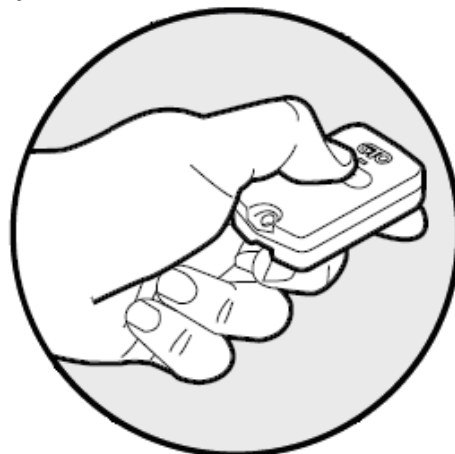
3. Turn the power switch on the bottom of the control box to the OFF position.



4. Hold down the transmitter button while turning the power switch ON.



5. Continue to hold the transmitter button until the alarm sounds, about 3 to 5 seconds. The range of the transmitter dramatically decreases when you take the cover off the control box. ***You must be within 5 feet of the control box with the transmitter*** when the cover is off.



Hold down the remote button until the alarm beeps

At this point, you should be able to operate your gate with the remote transmitter.