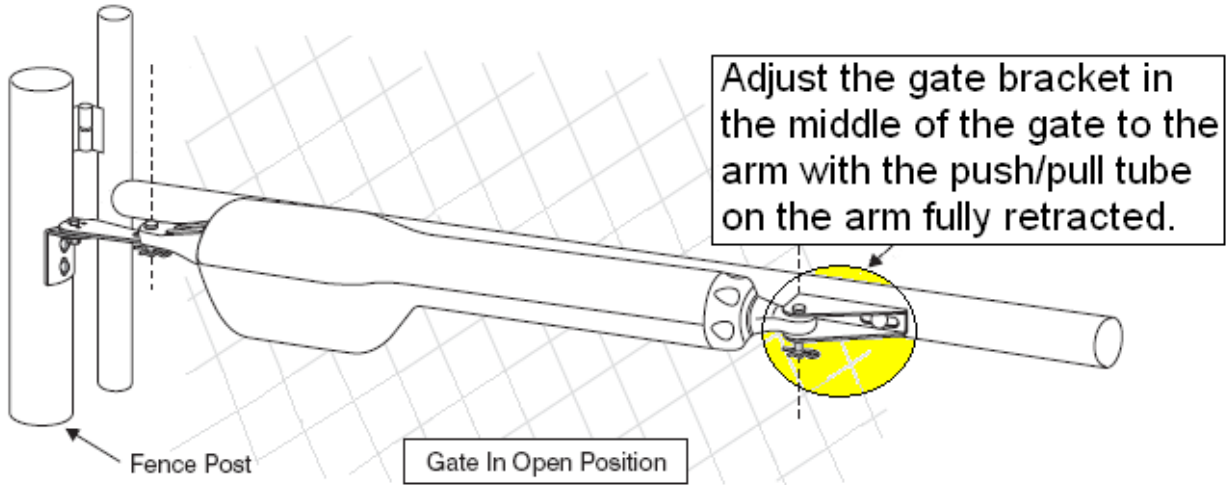
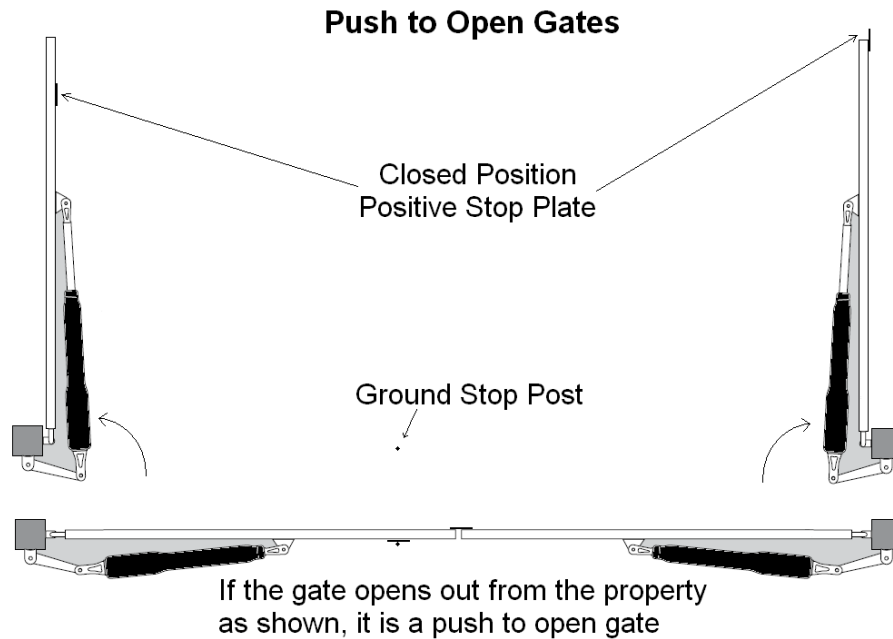


362-D Set the Open Position Limit Push To Open

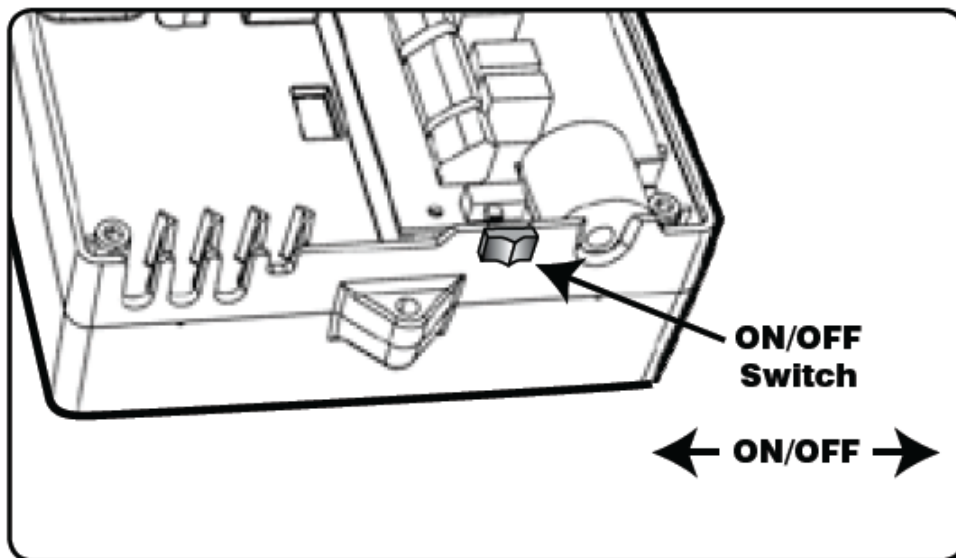
Check the closed position limit by checking the adjustment of the gate bracket in the middle of the gate.



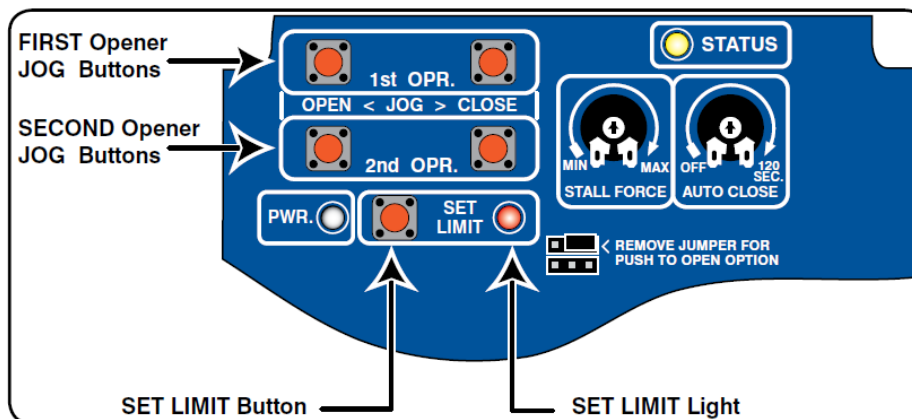
1 Make sure the gates are in the fully closed position and the arms are fully retracted.



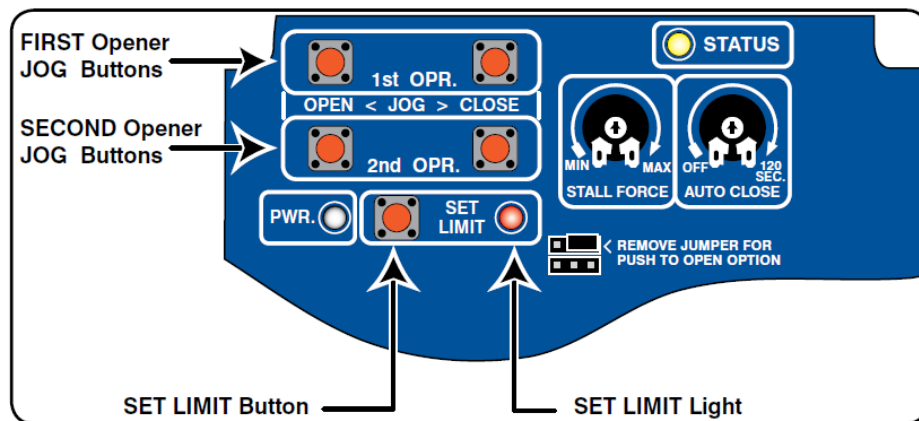
2 Turn the ON/OFF Switch to the ON position



3 Press and HOLD the 1st Opener's OPEN button on the control board and be prepared to RELEASE the button when the gate reaches the desired open position. Use the JOG OPEN and CLOSE buttons to "fine tune" gate position if necessary



4 Press and **HOLD** the 2nd Openers **OPEN** button on the control board and be prepared to **RELEASE** the button when the gate reaches the desired open position. Use the **JOG OPEN** and **CLOSE** buttons to “fine tune” gate position if necessary



5 With the gates in the desired open position **PRESS** and **HOLD** the **SET LIMIT** button until the alarm and set limit comes on. Then release the button.

NOTE: The Openers must be extended more than 7 inches to set the limit

6 Press and release the remote button to allow the gates to close fully. The alarm will beep when both gates reach the **CLOSED LIMIT**. This indicates that both limits are programmed in the memory.