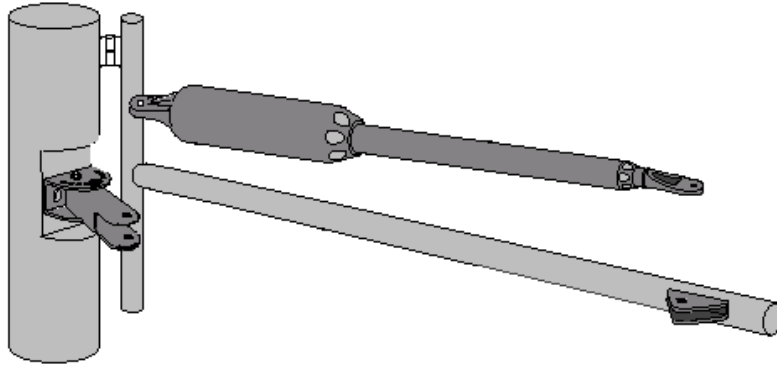


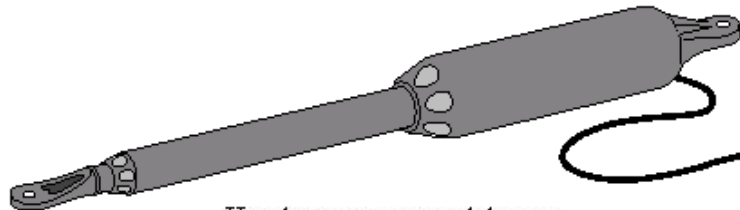
4000XL Closed Position Adjustment

If the arm is not recognizing the closed position limit, to find out if it is an adjustment problem or equipment problem, try the following:

Disconnect the arm from the gate.

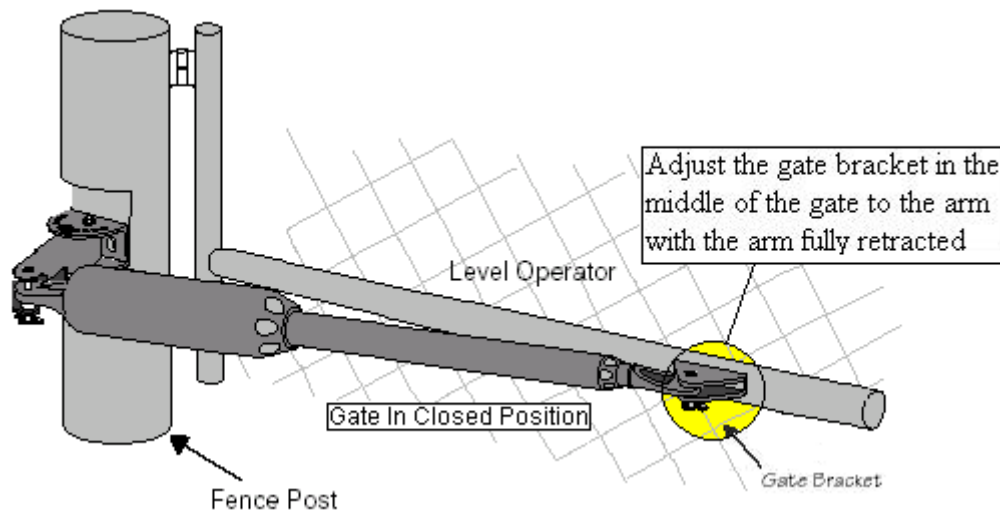


Use the remote or push button to retract the tube.



Use the remote or push button to fully retract the operator arm.

If the tube goes in and stops, you will need to readjust the gate bracket in the middle of the gate to the operator arm.



If the tube goes in too far, jams, and reverses itself or if it goes in too far and blows the fuse, the problem is with the equipment and we will need to get the arm back for repairs.