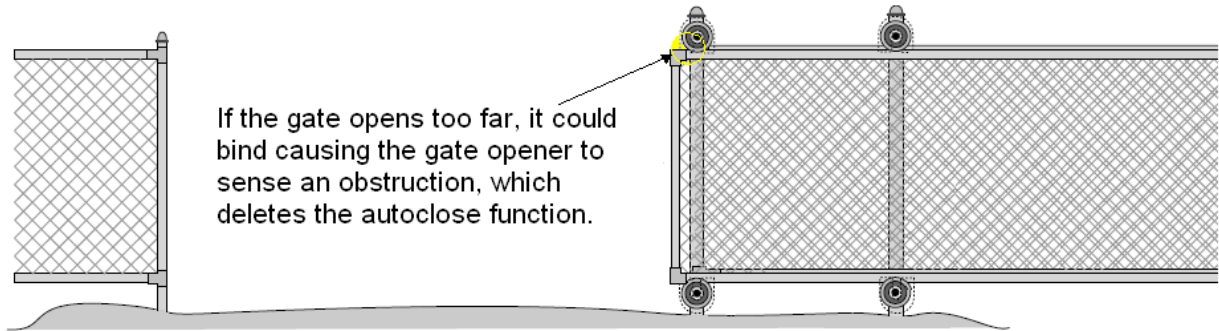


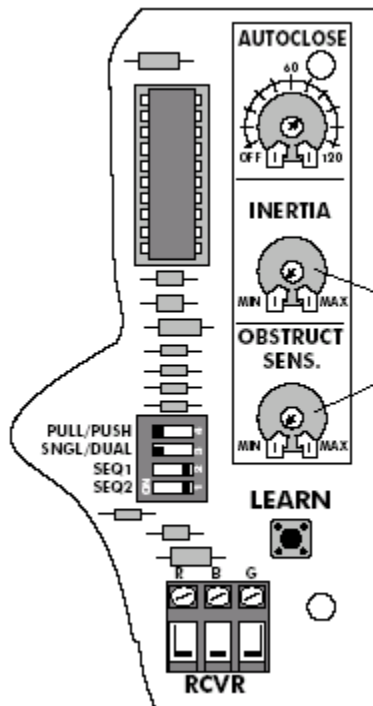
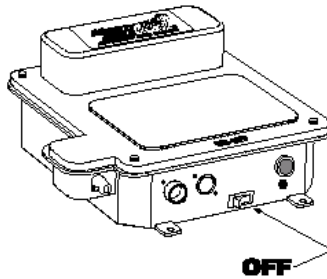
SL2000 Auto Close Test

Check the Open Position Limit Adjustment

99% of the time, the autoclose does not work because the gate is obstructing in the open position. The circuit board senses an obstruction at the end of the open cycle, which deletes the autoclose function.



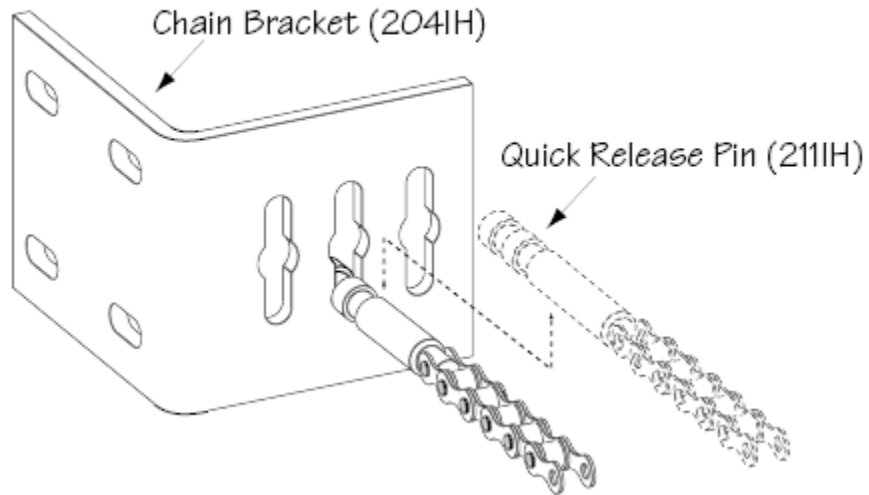
Try turning the power off and increasing the inertia and obstruction sensitivity.



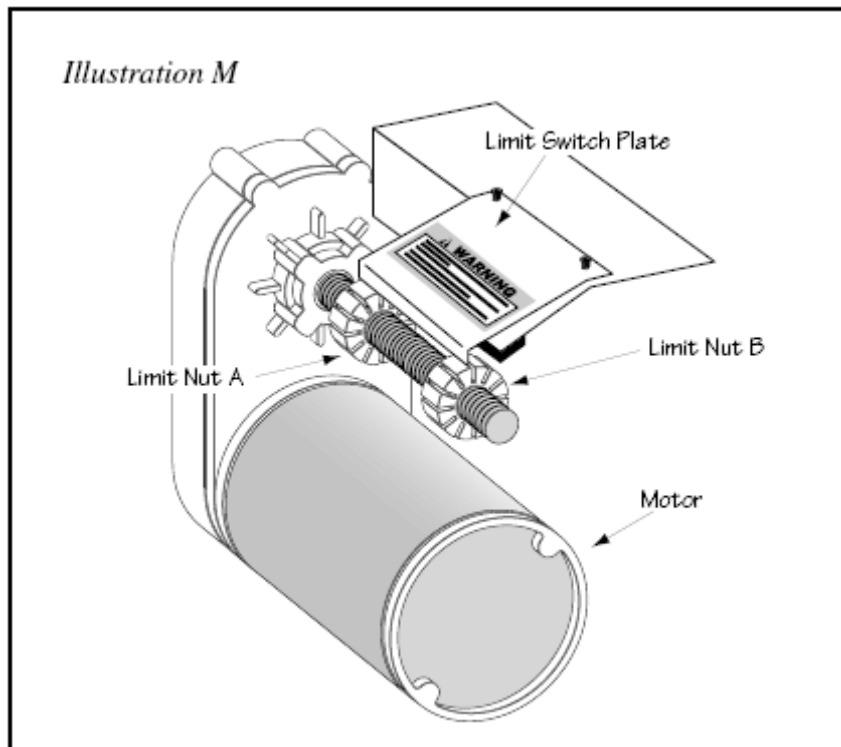
Turn these adjustments clockwise to the right more toward the maximum setting.

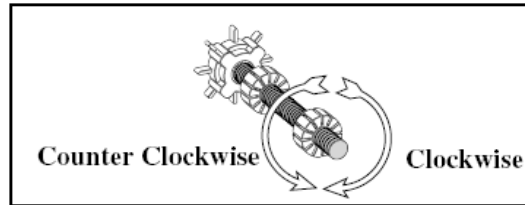
If that does not work, disconnect the chain in order to operate the opener without the gate attached.

Lift the quick release pins UP, then pull them OUT of the chain brackets



Operate the gate opener with the remote or push button without the gate attached. Close the opener and re-open it to see if it auto closes. If it times out and auto closes with the chain disconnected from the gate, you will need to readjust the open position limit using one of the limit nuts.





If your gate opens from Right to Left:

1. Gate Opening: For gate to open further, turn Limit Nut A counterclockwise. For gate to open less, turn Limit Nut A clockwise.
2. Gate Closing: For gate to close further, turn Limit Nut B counterclockwise. For gate to close less, turn Limit Nut B clockwise.

However, if your gate opens from Left to Right:

1. Gate Opening: For gate to open further, turn Limit Nut B counterclockwise. For gate to open less, turn Limit Nut B clockwise.
2. Gate Closing: For gate to close further, turn Limit Nut A counterclockwise. For gate to close less, turn Limit Nut A clockwise.

Once the limit switches are adjusted, make sure the limit switch plate rests in the grooves on both limit nuts.

